



PARTS CATALOG

00W50BMG



June 2022

PC00WBMG/QCB/F

PHONE: 440.285.3481 • FAX: 440.286.8571 • WEB: WWW.OOWINC.COM

00W50BMG CONFIGURATIONS



00W50BMG
SKU:7265636



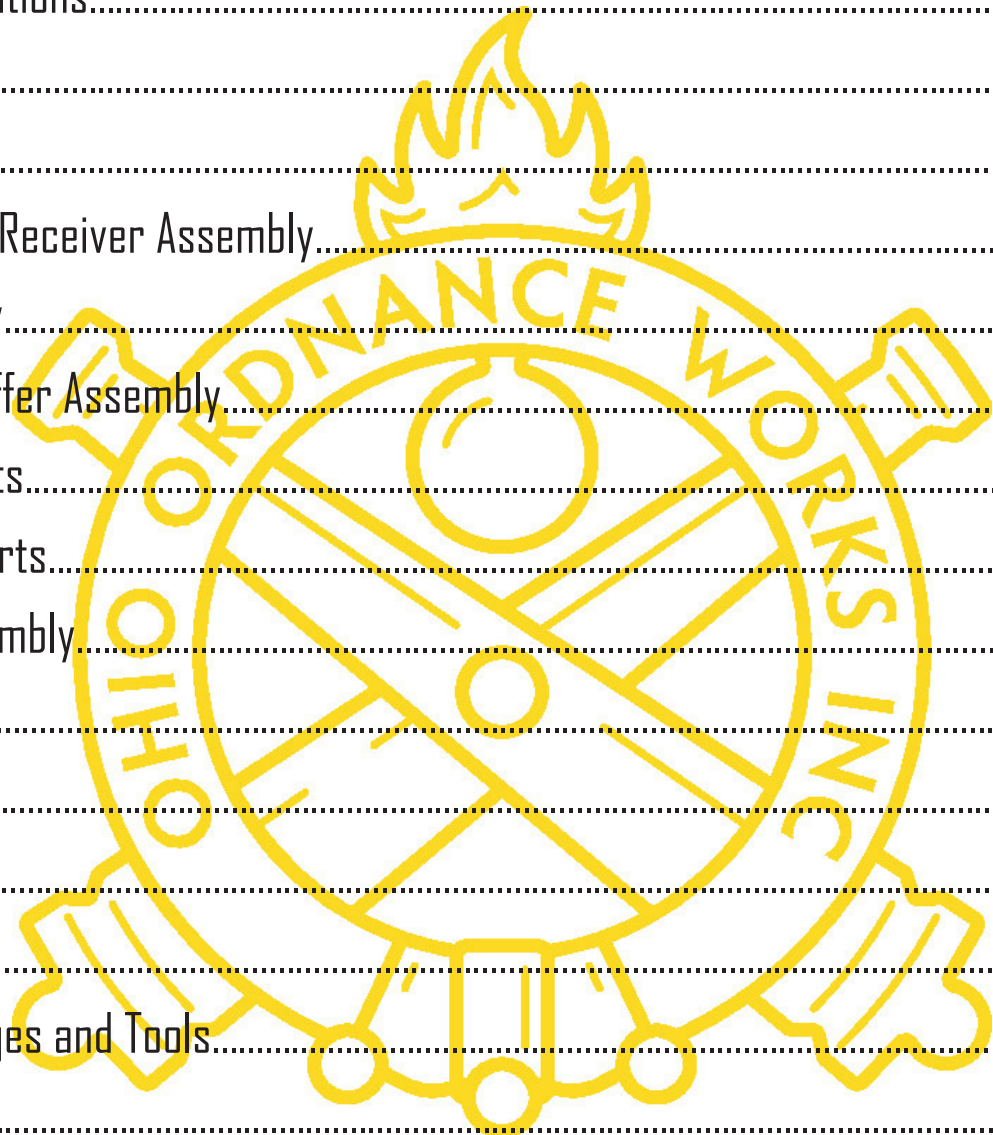
00W50BMG-F
SKU:71590700



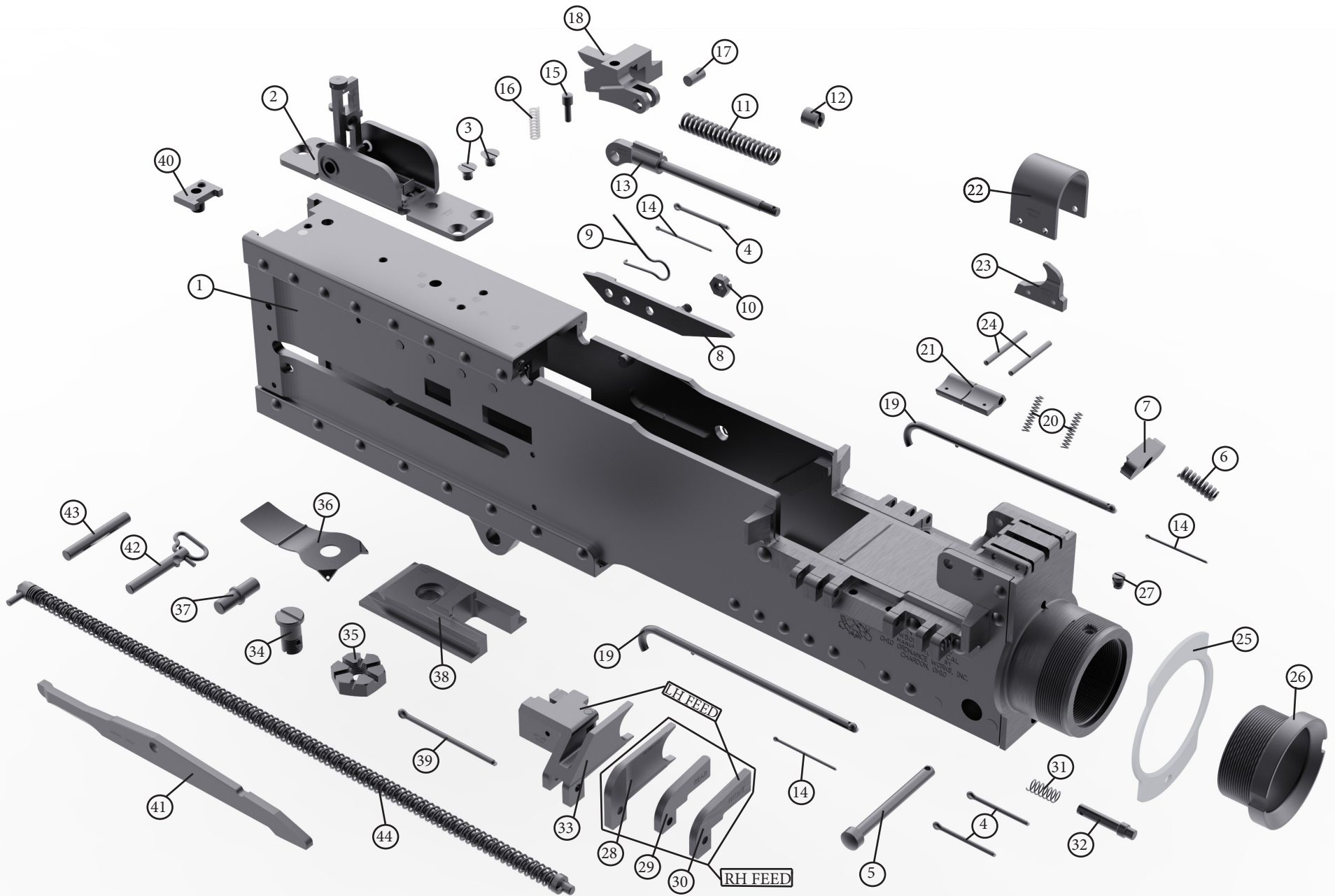
00W50BMG-QCB
SKU:M2A1-100E

TABLE OF CONTENTS

00W50BMG Configurations.....	2
Table of Contents.....	3
Receiver Assembly.....	4
Parts Breakdown for Receiver Assembly.....	5
Breech Bolt Assembly.....	6
Recoil Mechanism Buffer Assembly.....	7
HB Configuration Parts.....	8
QCB Configuration Parts.....	9
Retracting Slide Assembly.....	10
Cover Assembly.....	11
Back Plate Assembly.....	12
FAST 50 Components.....	13
.50 Cal Accessory Kit.....	14
.50 Cal Armorer Gauges and Tools.....	15
Crew Served Tool Kit.....	16
Parts Breakdown for Crew Served Tool Kit.....	17



RECEIVER ASSEMBLY



ITEM NUMBER	PART NUMBER	NSN (EQUIVALENT)	DESCRIPTION	CONFIGURATION			ITEM NUMBER	PART NUMBER	NSN (EQUIVALENT)	DESCRIPTION	CONFIGURATION		
				HB	QCB	FAST					HB	QCB	FAST
*NOT FOR INDIVIDUAL SALE				HB	QCB	FAST					HB	QCB	FAST
1*	6535480	1005-01-172-7725	RECEIVER ASSEMBLY	X	X	X	23	6008934	1005-00-600-8934	SIGHT, FRONT BLADE TYPE	X	X	X
2	12003047	1005-01-003-5475	SIGHT ASSEMBLY, REAR	X	X	X	24	5013546	5315-00-501-3546	PIN, STRAIGHT, HEADLESS	X	X	X
3	5153191	5305-00-637-9395	SCREW, MACHINE	X	X	X	25	6008982-PA		PEEL AWAY SHIM, TRUNNION BLOCK	X	X	X
4	98338A445		PIN, COTTER, 3/32 X 1-1/4	X	X	X	26	6008920	5365-00-600-8920	BUSHING, MACHINE THREAD	X	X	X
5	5009271	5315-00-500-9271	PIN, STRAIGHT, HEADED	X	X	X	27	5013530	5305-00-299-1193	SCREW, LOCK, BREECH BEARING	X	X	X
6	7313068	5360-00-597-1201	SPRING, HELICAL, COMPRESSION	X	X	X	28	5013541	1005-00-501-3541	STRIPPER, LINK	X	X	X
7	7313069	3040-00-731-3069	PAWL, COVER DETENT	X	X	X	29	5013540	1005-00-501-3450	STOP, REAR, CARTRIDGE	X	X	X
8	6147461	5930-00-614-7461	SWITCH, EXTRACTOR	X	X	X	30	5013539	1005-00-501-3539	STOP, FRONT, CARTRIDGE	X	X	X
9	6008943	5360-00-600-8943	SPRING, SWITCH	X	X	X	31	5013566	5360-00-501-3566	SPRING, HELICAL, COMPRESSION	X	X	X
10	5013556	5310-00-501-3556	NUT, SLOTTED, HEXAGON	X	X	X	32	5013565	5315-00-501-3565	LOCK, TRUNNION BLOCK	X	X	X
11	5013527	5360-00-501-3527	SPRING, HELICAL COMPRESSION	X	X	X	33	5577409	1005-00-557-7409	CARTRIDGE STOP ASSY. RH (REAR)	X	X	X
12	5013526	5310-00-501-3526	NUT, BOLT LATCH ROD	X	X	X	34	5152938	5305-00-515-2938	SCREW, BREECH LOCK CAM	X	X	X
13	6008919	5315-00-600-8919	ROD, BOLT LATCH	X	X	X	35	5152939	5310-00-515-2939	NUT, PLAIN, SLOTTED HEXAGON	X	X	X
14	98338A427		PIN, COTTER, 1/16 X 1-1/2	X	X	X	36	5140428	5360-00-514-0428	SPRING, LOCKING, ELEVATING MEC	X	X	X
15	5013524	5315-00-501-3524	PLUNGER, BOLT LATCH	X	X	X	37	5013424	5315-00-501-3424	PIN, SHOULDER, HEADLESS	X	X	X
16	5013525	5360-00-299-1192	SPRING, HELICAL COMPRESSION	X	X	X	38	6147583	1005-00-614-7583	BREECH LOCK CAM	X	X	X
17	5013523	5315-00-501-3523	PIN, STRAIGHT	X	X	X	39	98338A481		PIN, COTTER, 1/8 X 2-1/2	X	X	X
18	5504060-1	3040-00-550-4060	BOLT LATCH, NON ADJUSTABLE	X	X	X	40	7312030		STOP, ADJUSTING TRIGGER LEVER	X	X	X
19	7162872	5315-00-716-2872	PIN, BELT HOLDING PAWL	X	X	X	41	6257592	5340-00-625-7592	BAR, TRIGGER	X	X	X
20	7160628	5360-00-209-9691	SPRING, HELICAL COMPRESSION	X	X	X	42	7313106	5315-00-731-3106	PIN, STRAIGHT, HEADED TRIGGER	X	X	X
21	7313083		PAWL ASSEMBLY BELT HOLDING RH	X	X	X	43	6008784	5315-00-600-8784	PIN ASSEMBLY, BREECH LOCK	X	X	X
22	6008935	1005-00-600-8935	COVER, FRONT SIGHT	X	X	X	44	5564305	1005-00-556-4305	ROD ASSEMBLY, DRIVE	X	X	X

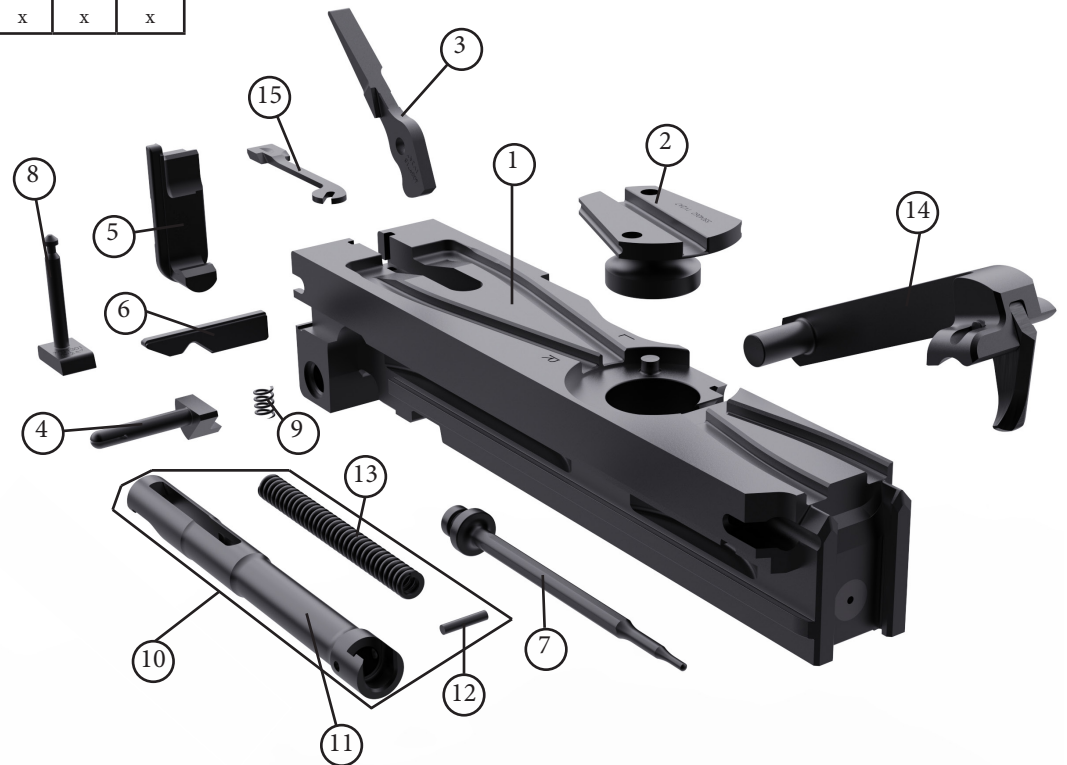
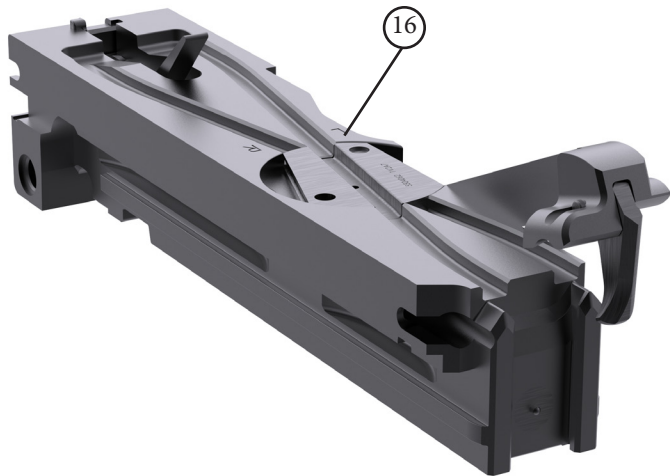
SAFETY WIRE



ITEM NUMBER	PART NUMBER	NSN (EQUIVALENT)	DESCRIPTION	CONFIGURATION		
				HB	QCB	FAST
1	MS-20995-C41	-	.041 WIRE, SAFETY	X	X	X
2	MS-20995-C32	-	.032 WIRE, SAFETY	X	X	X

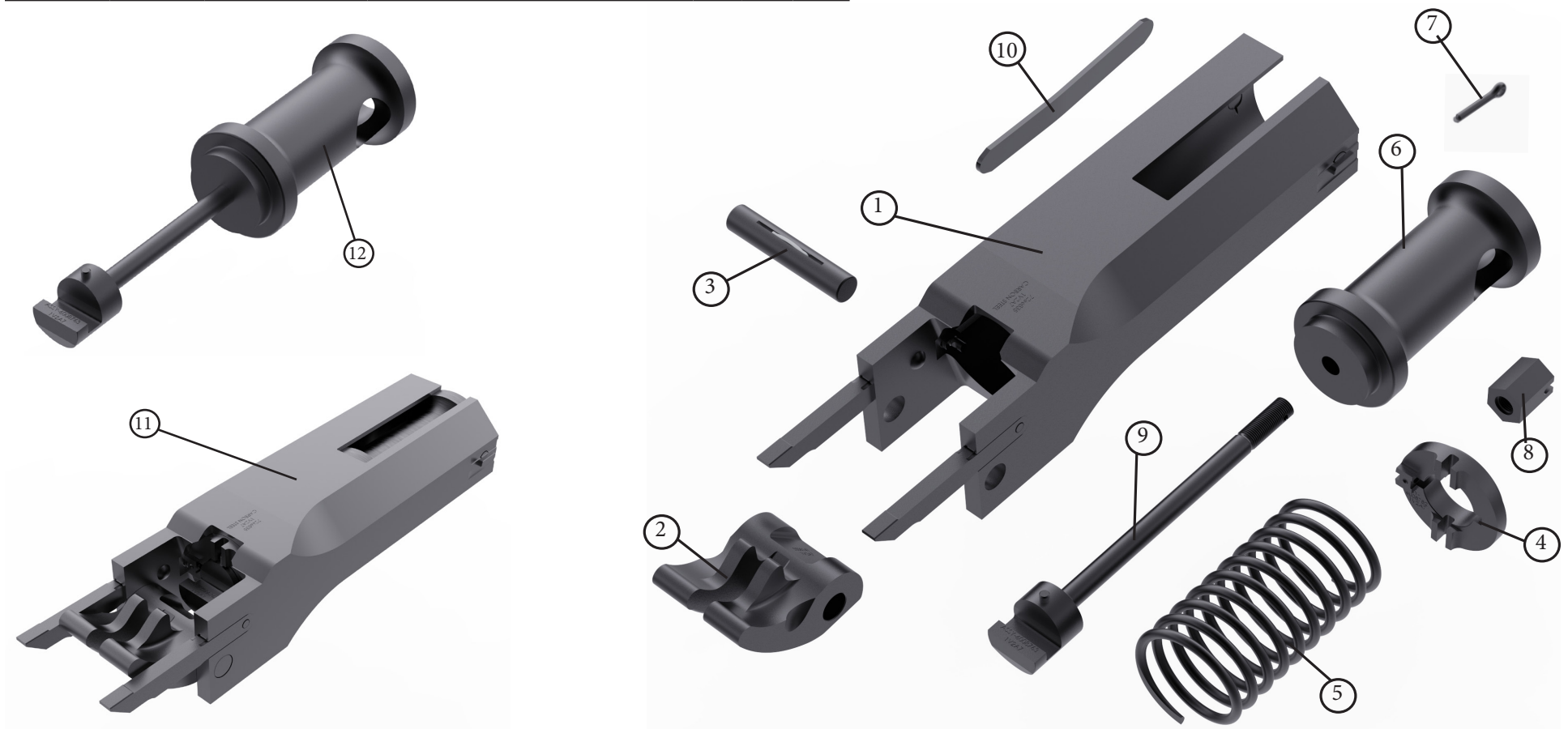
ITEM NUMBER	PART NUMBER	NSN (EQUIVALENT)	DESCRIPTION	CONFIGURATION		
				HB	QCB	FAST
1	6147463	1005-00-614-7463	BOLT SUB-ASSEMBLY	x	x	x
2	5504062	5355-00-550-4062	KNOB ALTERNATE FEED	x	x	x
3	6009718	1005-00-600-9718	LEVER, COCKING	x	x	x
4	7312078	5315-00-731-2078	PIN, COCKING LEVER, M2	x	x	x
5	5504067	1005-00-550-4067	SEAR	x	x	x
6	5351220	1005-00-535-1220	SLIDE, SEAR	x	x	x
7	7310080	1005-00-731-0080	PIN, FIRING	x	x	x
8	7161301	1005-00-716-1301	STOP, ACCELERATOR, AUTOMATIC	x	x	x
9	5009524	5360-00-209-8720	SPRING, HELICAL, COMPRESSION	x	x	x
10	6008976	1005-00-600-8976	EXTENSION ASSEMBLY, FIRING PIN	x	x	x
11	6008946		EXTENSION, FIRING PIN	x	x	x
12	5009382	5315-00-500-9382	PIN. STRAIGHT, HEADLESS	x	x	x
13	5009353	5360-00-500-9353	SPRING, HELICAL, COMPRESSION	x	x	x
14	6008959	1005-00-600-8959	EXTRACTOR, CARTRIDGE	x	x	x
15	7161300	1005-00-716-1300	LOCK, ACCELERATOR STOP	x	x	x
16	6528322		BOLT ASSEMBLY, BREECH	x	x	x

BREECH BOLT ASSEMBLY



ITEM NUMBER	PART NUMBER	NSN (EQUIVALENT)	DESCRIPTION	CONFIGURATION		
				HB	QCB	FAST
*NOT FOR INDIVIDUAL SALES				HB	QCB	FAST
1	7266835		BODY ASSEMBLY, BARREL BUFFER	x	x	
2	5508141	1005-00-550-8141	ACCELERATOR, MACHINE, BUFFER	x	x	
3	6008790	5315-00-600-8790	PIN, SPRING	x	x	
4	6008782	1005-00-600-8782	GUIDE, BUFFER SPRING	x	x	
5	6009832	5360-00-200-5800	SPRING, HELICAL, COMPRESSION	x	x	
6*	9340486		TUBE, BUFFER	x	x	
7*	MS24665-298		PIN, COTTER	x	x	
8*	9340485		NUT, BUFFER PISTON ROD	x	x	
9*	6008763		ROD ASSEMBLY, BUFFER PISTON	x	x	
10	5009266	5340-00-200-9266	BUFFER BODY, LOCK	x	x	
11	7266821	1005-01-453-9289	BUFFER, RECOIL MECHANISM	x	x	
12	9340487		BUFFER ASSEMBLY, BARREL	x	x	

RECOIL MECHANISM BUFFER ASSEMBLY



ITEM NUMBER	PART NUMBER	NSN (EQUIVALENT)	DESCRIPTION	CONFIGURATION		
				HB	QCB	FAST
1	5504082	1005-00-550-4082	EXTENSION ASSEMBLY, BARREL	x		x
2	5504091	1005-00-550-4091	SUPPORT, BARREL	x		
3	7266131-T	1005-00-726-6131	M2. 50 CAL BARREL ASSEMBLY	x		
4	10208111		CARRYING HANDLE ASSEMBLY, QCB	x	x	
5	7312028	5305-00-731-2028	SCREW, EXTERNALLY RELIEVED BOD	x		
6	7312027	5310-00-731-2027	NUT, PLAIN, KNURLED	x		
7	7312029	5360-00-731-2029	SPRING, FLAT, ADJUSTABLE TRIGGER	x		
8	7161302	1005-00-716-1302	LOCK, BREECH	x		
9	7266134	5360-00-726-6134	SPRING, LOCKING, BARREL	x		
10	13027970	5340-01-545-2949	THREAD PROTECTOR, OOW50BMG	x	x	

HB CONFIGURATION PARTS



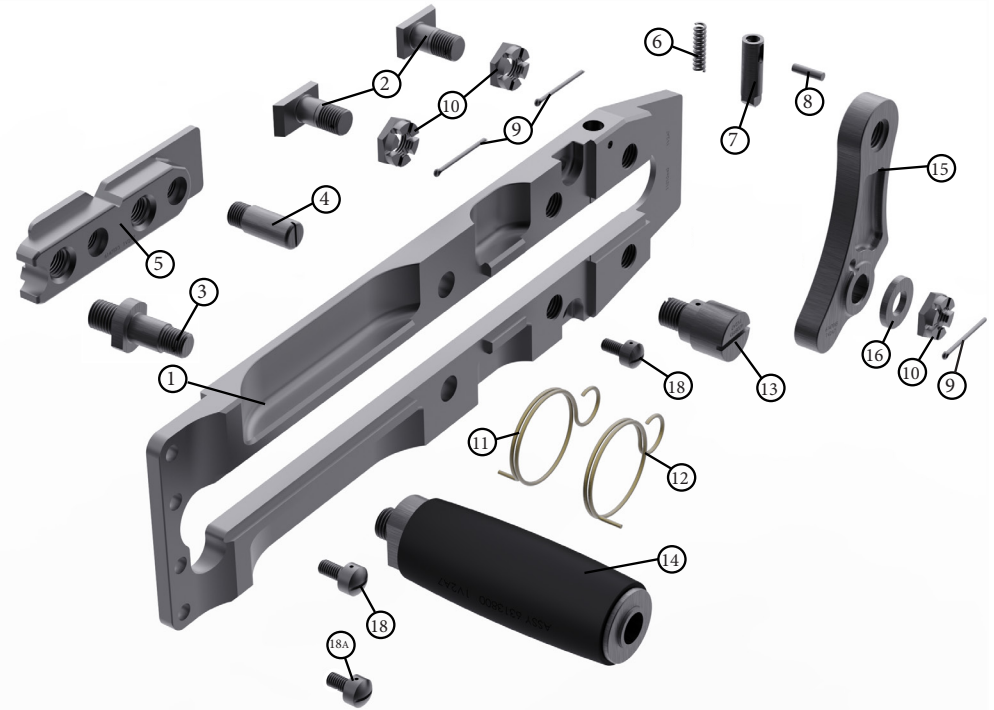
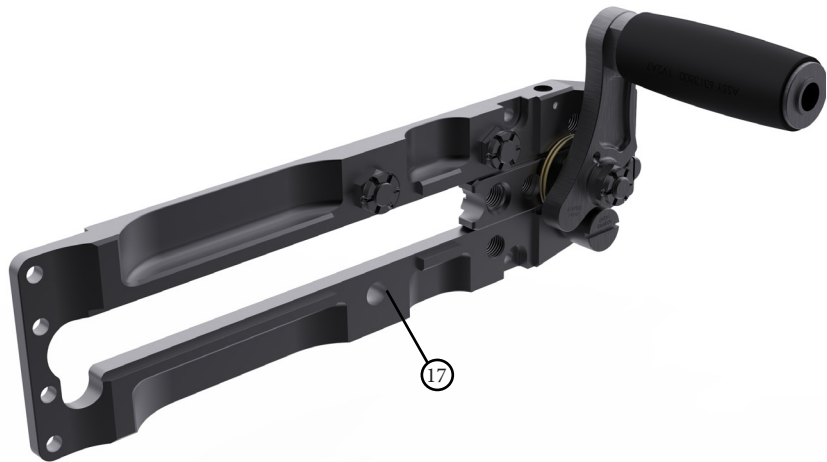
ITEM NUMBER	PART NUMBER	NSN (EQUIVALENT)	DESCRIPTION	CONFIGURATION		
				HB	QCB	FAST
1	7266131-QCB		BARREL ASSY., M2 .50 QCB		x	
2	366-200-QCBKT		QCB BREECH LOCK, #5 - #31		x	
3	5504082-QCB		BARREL EXTENSION, ASSY, QCB		x	
4	10218332		WASHER, GUIDE SCREW, QCB		x	
5	10218331		SCREW, GUIDE, QCB		x	
6	10218330		BARREL SUPPORT, QCB		x	
7	7312027-QCB		NUT, TIMING, QCB		x	
8	7312028-QCB		SCREW, LOCKING, TIMING NUT		x	
9	10208111		CARRYING HANDLE ASSEMBLY, QCB	x	x	
10	7266134-QCB		SPRING, LOCKING, BARREL		x	
11	13027970	5340-01-545-2949	THREAD PROTECTOR, OOW50BMG	x	x	

QCB CONFIGURATION PARTS



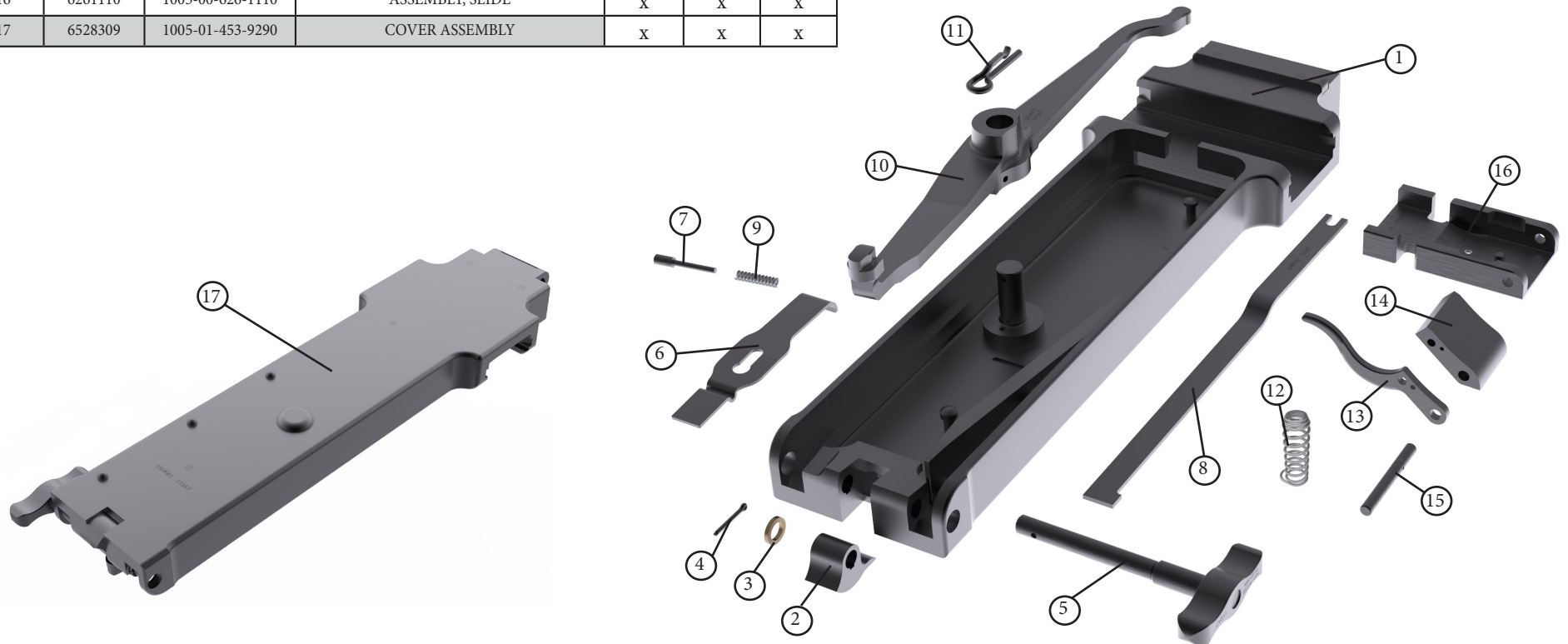
ITEM NUMBER	PART NUMBER	NSN (EQUIVALENT)	DESCRIPTION	CONFIGURATION		
				HB	QCB	FAST
1	11010440		BRACKET, RETRACTING SLIDE	x	x	x
2	5013681	5306-00-501-3681	BOLT, TEE HEAD SHOULDER	x	x	x
3	6313822	5307-00-631-3822	STUD, SHOULDERED	x	x	x
4	5013694	5315-00-501-3694	PIN, SHOULDER, HEADLESS	x	x	x
5	6147893	1005-00-614-7893	SLIDE, RETRACTING	x	x	x
6	5013693	5360-00-501-3693	SPRING, HELICAL, COMPRESSION	x	x	x
7	6008990	1005-00-600-8990	PLUNGER, RETRACTING SLIDE	x	x	x
8	5013687	5315-00-501-3687	PIN, STRAIGHT, HEADLESS	x	x	x
9	MS24665-816	5315-00-013-7146	PIN, COTTER	x	x	x
10	5013686	5310-00-501-3686	NUT, SLOTTED, HEXAGON	x	x	x
11	5013691	5360-00-501-3691	SPRING, HELICAL TORSION LEFT	x	x	x
12	5013692	5360-00-501-3692	SPRING, HELICAL TORSION RIGHT	x	x	x
13	6008993	5305-00-600-8993	STUD, RETRACTING SLIDE	x	x	x
14	6313800	1005-00-631-3800	HANDLE, RETRACTING SLIDE	x	x	x
15	6147085	3040-00-614-7085	LEVER, REMOTE CONTROL SLIDE	x	x	x
16	5013697	5310-00-501-3697	WASHER, FLAT, THRUST	x	x	x
17	11010439	1005-00-657-3953	M2 .50 RETRACTING SLIDE ASSY.	x	x	x
18	7265596		SCREW, MACHINE, FILLISTER HEAD	x	x	x
18A	7265596-S		SCREW, MACHINE, FILLISTER HEAD, OOW50BMG	x	x	x
19	MS-20995-C32		.032 WIRE, SAFETY	x	x	x

RETRACTING SLIDE ASSEMBLY



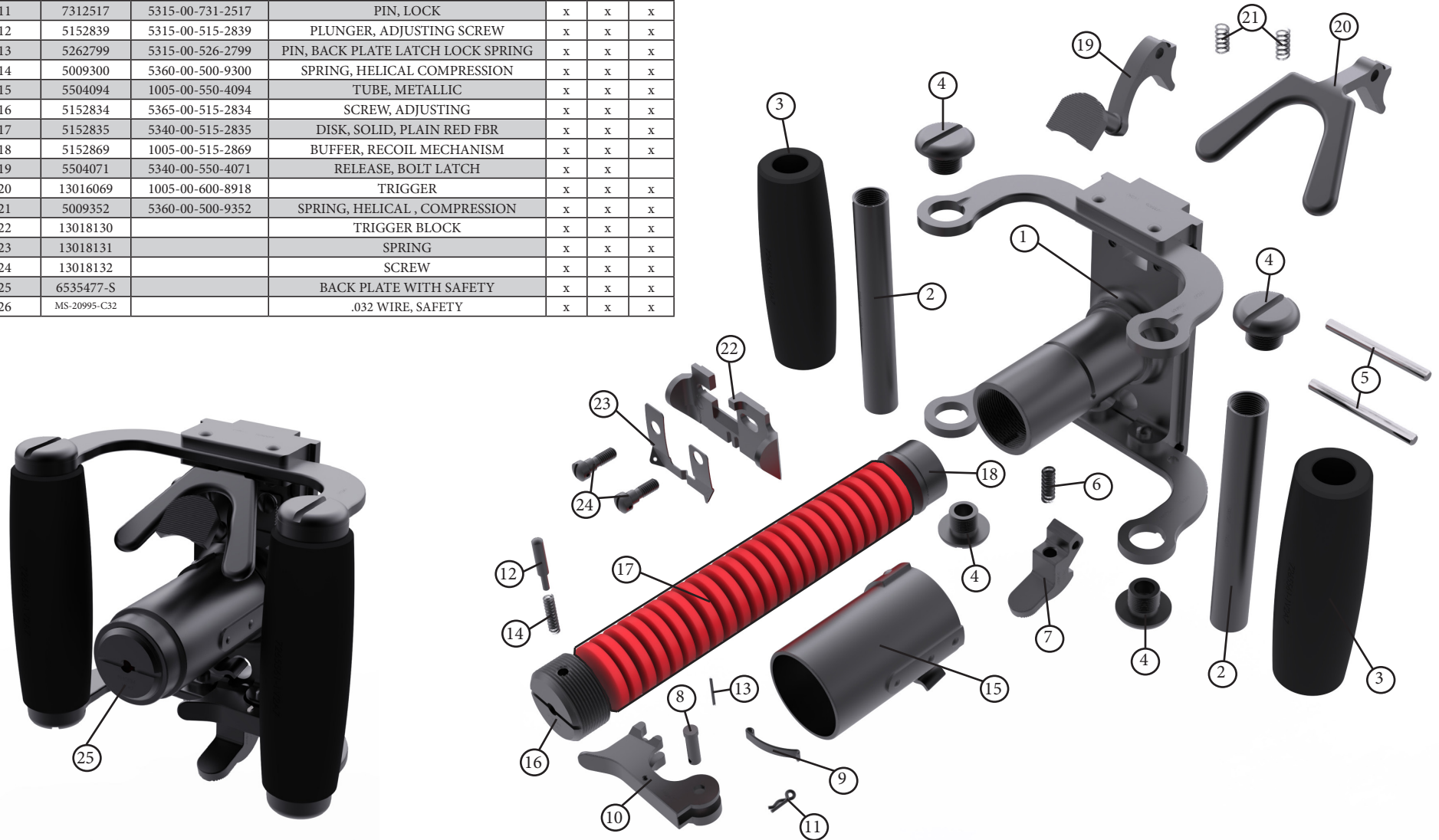
ITEM NUMBER	PART NUMBER	NSN (EQUIVALENT)	DESCRIPTION	CONFIGURATION		
				HB	QCB	FAST
1	5504081	1005-00-550-4081	COVER SUB-ASSEMBLY	X	X	X
2	6008928	5340-00-600-8928	LATCH	X	X	X
3	60340	5310-00-800-3218	WASHER, FLAT	X	X	X
4	MS24665-814	5315-00-013-7137	PIN, COTTER	X	X	X
5	7312723	5340-00-731-2723	LEVER, MANUAL CONTROL COVER LATCH	X	X	X
6	6008931	5360-00-600-8931	SPRING, FLAT COVER LATCH	X	X	X
7	5013515	5315-00-299-1191	PLUNGER, BELT FEED LEVER	X	X	X
8	6009741	5360-00-600-9741	SPRING, FLAT, COVER EXTRACTOR	X	X	X
9	5013516	5360-00-501-3516	SPRING, HELICAL, COMPRESSION	X	X	X
10	5564278	5340-00-556-4278	LEVER	X	X	X
11	7312970	5315-00-731-2970	PIN, LOCK RETAINING, BELT FEED	X	X	X
12	5009351	5360-00-500-9351	SPRING, HELICAL COMPRESSION	X	X	X
13	6008914	3040-00-600-8914	PAWL, BELT FEED ARM	X	X	X
14	6008961	3040-00-600-8961	PAWL, BELT, FEED	X	X	X
15	6008962	5315-00-626-8962	PIN, SPRING	X	X	X
16	6261110	1005-00-626-1110	ASSEMBLY, SLIDE	X	X	X
17	6528309	1005-01-453-9290	COVER ASSEMBLY	X	X	X

COVER ASSEMBLY



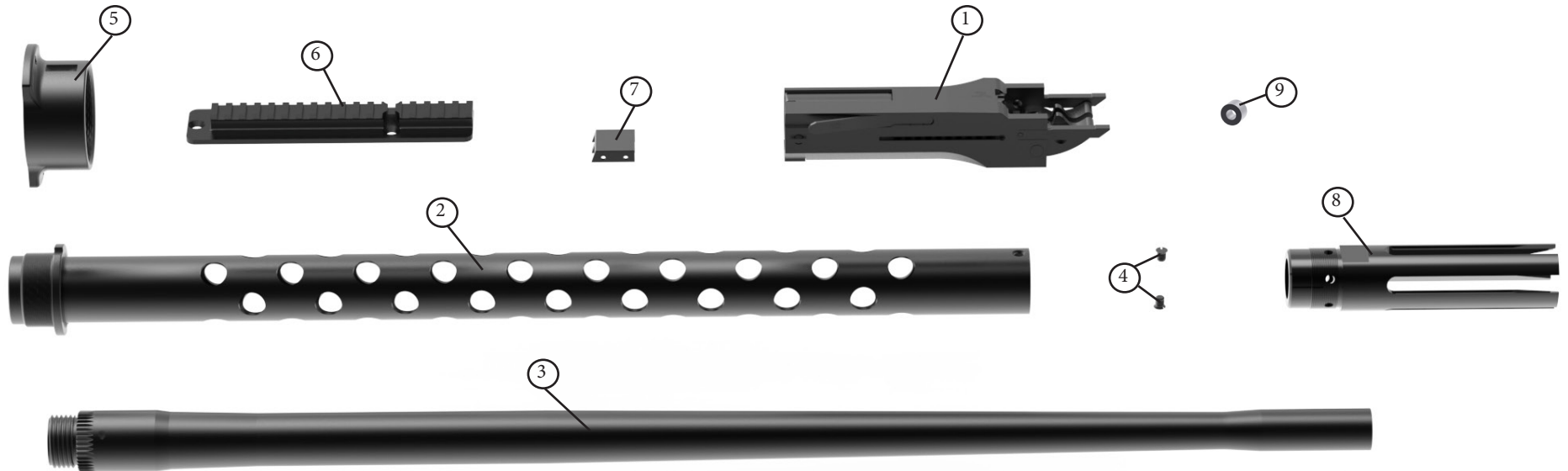
ITEM NUMBER	PART NUMBER	NSN (EQUIVALENT)	DESCRIPTION	CONFIGURATION		
				HB	QCB	FAST
1	5564307		PLATE ASSEMBLY, BACK W/O LATCH	x	x	x
2	5009369	1005-00-918-2617	TUBE, HANDLE GRIP PLATE ASSEMBLY	x	x	x
3	7265561	1005-00-726-5561	GRIP, MACHINE GUN HANDLE, PLASTIC	x	x	x
4	5009394	5305-00-500-9394	SCREW, MACHINE	x	x	x
5	5009275	5315-00-500-9275	PIN, STRAIGHT, HEADLESS	x	x	x
6	5009356	5360-00-500-9356	SPRING, HELICAL COMPRESSION	x	x	x
7	6008949	3040-00-600-8949	LATCH, BACK PLATE	x	x	x
8	5013581	5315-00-501-3581	PIN, STRAIGHT, HEADED	x	x	x
9	6243607	5360-00-624-3607	SPRING, FLAT BACK PLATE	x	x	x
10	11010453	1005-00-927-7273	LOCK, BACK PLATE LATCH	x	x	x
11	7312517	5315-00-731-2517	PIN, LOCK	x	x	x
12	5152839	5315-00-515-2839	PLUNGER, ADJUSTING SCREW	x	x	x
13	5262799	5315-00-526-2799	PIN, BACK PLATE LATCH LOCK SPRING	x	x	x
14	5009300	5360-00-500-9300	SPRING, HELICAL COMPRESSION	x	x	x
15	5504094	1005-00-550-4094	TUBE, METALLIC	x	x	x
16	5152834	5365-00-515-2834	SCREW, ADJUSTING	x	x	x
17	5152835	5340-00-515-2835	DISK, SOLID, PLAIN RED FBR	x	x	x
18	5152869	1005-00-515-2869	BUFFER, RECOIL MECHANISM	x	x	x
19	5504071	5340-00-550-4071	RELEASE, BOLT LATCH	x	x	
20	13016069	1005-00-600-8918	TRIGGER	x	x	x
21	5009352	5360-00-500-9352	SPRING, HELICAL , COMPRESSION	x	x	x
22	13018130		TRIGGER BLOCK	x	x	x
23	13018131		SPRING	x	x	x
24	13018132		SCREW	x	x	x
25	6535477-S		BACK PLATE WITH SAFETY	x	x	x
26	MS-20995-C32		.032 WIRE, SAFETY	x	x	x

BACKPLATE ASSEMBLY



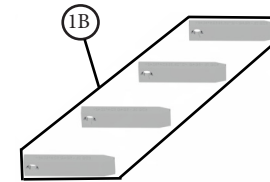
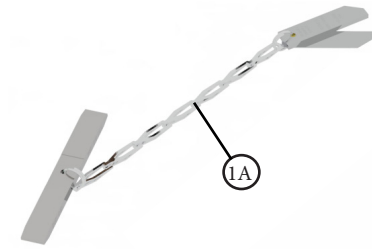
FAST 50 COMPONENTS

ITEM NUMBER	PART NUMBER	NSN (EQUIVALENT)	DESCRIPTION
1	8448124		BUFFER ASSY, RECOIL MECHANISM, OOW50BMG-F
2	5504047		ASSY, BARREL JACKET, OOW50BMG-F
3	7265156		BARREL ASSY, OOW50BMG-F
4	5153192		SCREW, MACHINE, FLAT HEAD, BARREL JACKET, OOW50BMG-F
5	5504052-F		ADAPTER, TRUNNION, OOW50BMG-F
6	6008939-RAIL		PLATE COVER, PICATINNY RAILED, OOW50BMG-F
7	5013588		COVER, TRUNNION BLOCK, OOW50BMG-F
8	89169	1005-01-294-9822	FLASH HIDER, GAU-18
9	5013583	5365-00-501-3583	SPACER, SLEEVE

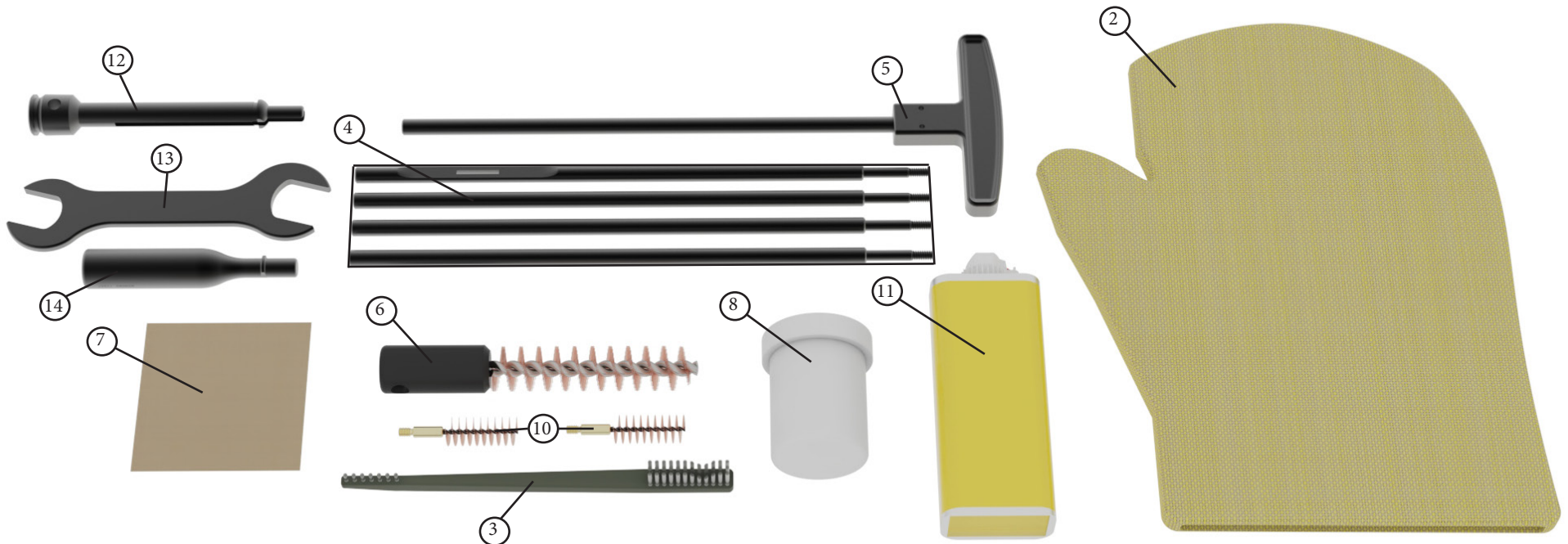


ITEM NUMBER	PART NUMBER	NSN (EQUIVALENT)	DESCRIPTION	CONFIGURATION		
				HB	QCB	FAST
HB-KIT	CKT:50-HB		.50 CAL HB ACCESSORY KIT	x		x
QCB-KIT	CKT:50		.50 CAL QCB ACCESSORY KIT		x	
1A	5351217		HEADSPACE AND TIMING GAGE SET	x	x	x
1B	5351217, 5351211-03, 5351211-04, 5351211-05, 5351211-06		HEADSPACE GAGE SET		x	
2	81349		MITTEN, HEAT PROTECTIVE	x	x	x
3	965-6621		ALL PURPOSE BRUSH	x	x	x
4	5564102		CLEANING ROD	x	x	x
5	6535441		T-HANDLE	x	x	x
6	7790737		CHAMBER BRUSH	x	x	x
7	084-051-250		PATCHES, CLEANING (20)	x	x	x
8	PLASTILUBE		PLASTILUBE	x	x	x
9	11686430		CLEANING KIT, BAG	x	x	x
10	5504037		BORE BRUSH	x	x	x
11	LP OR CLP		LUBRICANT/PRESERVATIVE	x	x	x
12	7160041		EXTRACTOR, RUPTURED CARTRIDGE	x	x	x
13	5411A18		WRENCH 3/4"-7/8"	x	x	x
14	6008583		HANDLE, BOLT	x	x	x

.50 Cal ACCESSORY KIT

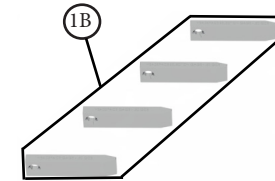
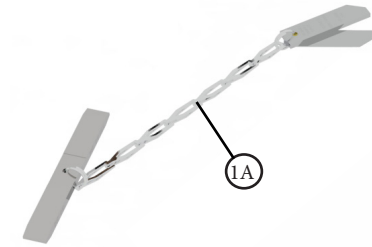


QCB KIT INCLUDES ALL ITEMS IN HB KIT + ADDITIONAL HEADSPACE GAGES

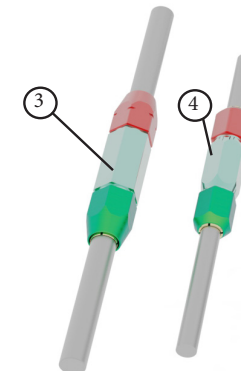
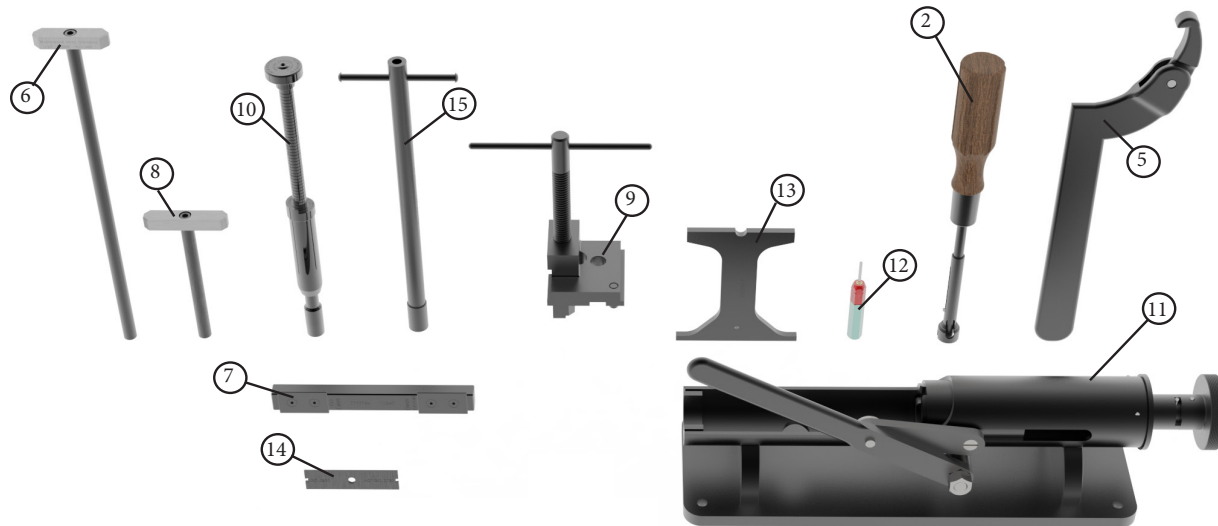


.50 Cal ARMORER GAUGES AND TOOLS

ITEM NUMBER	PART NUMBER	NSN (EQUIVALENT)	DESCRIPTION	CONFIGURATION		
				HB	QCB	FAST
HB-KIT	7265830		50BMG ARMORERS TOOL/GAGE SET	x		x
QCB-KIT	7265830-QCB		50QCB ARMORERS TOOL/GAGE SET		x	
1A	5351217		HEADSPACE AND TIMING GAGE SET	x	x	x
1B	5351217, 5351211-03, 5351211-04, 5351211-05, 5351211-06		HEADSPACE GAGE SET		x	
2	6243646		TOOL ASSEMBLY, FIRING PIN	x	x	x
3	7799779		PLAIN PLUG GAGE	x	x	x
4	7799778		PLAIN PLUG GAGE	x	x	x
5	94348190		SPANNER WRENCH, ADJ.	x	x	
6	7799808		GAGE, THRD BRASSBUSHING PLUG	x	x	
7	7799984		CARTRIDGE SLOT ATL FEED BOLT	x	x	x
8	7799775		BARREL SUPPORT, PLUG, SPECIAL	x	x	
9	7185892		TOOL ASSEMBLY, BOLT LATCH ASSEMBLY	x	x	x
10	C20623-OOW		BARREL EROSION GAGE	x	x	x
11	7319903		TOOL ASSEMBLY, OIL BUFFER ROD	x	x	x
12	5077200		GAGE, PLUG, FIRING PIN HOLE	x	x	x
13	7106326		GAGE, OIL BUFFER ROD	x	x	x
14	7799739		GAGE FIRING PIN, PROTRUSION	x	x	x
15	7188742		WRENCH SPANNER	x	x	



QCB KIT INCLUDES ALL ITEMS IN HB KIT + ADDITIONAL HEADSPACE GAGES



CREW SERVED TOOL KIT



ITEM NUMBER	PART NUMBER	DESCRIPTION	ITEM NUMBER	PART NUMBER	DESCRIPTION
1	1555T263/6436K18	.50 BARREL SUPPORT REMOVAL BAR	25	989290A190	3/8 IN STARTER PUNCH
2	53725A44	1/4 IN RATCHET	26	8702K83	DELTRIN PLASTIC
3	53155A23	1/2 IN RATCHET	27	8551A52	SCREWDRIVER SET
4	2083A12	.0015 FEELER GAGE	28	*	SCREWDRIVER
5	2083A17	.005 FEELER GAGE	29	*	SCREWDRIVER
6	2083A21	.008 FEELER GAGE	30	*	SCREWDRIVER
7	2083A23	.010 FEELER GAGE	31	51505A21	ADJUSTABLE JAW PLIERS 6 IN
8	6545T3	FLASHLIGHT	32	51505A25	ADJUSTABLE JAW PLIERS 13 IN
9	5571A13	.50 BARREL BUSHING SPANNER WRENCH	33	10T975	FRONT CUTTER (RIVET TIGHTNESS CHECK)
10	60208337	PILLAR FILE	34	68154079	LONG NEEDLE NOSE PLIERS
11	60304011	HALF ROUND FILE	35	56815A33	SIDE CUTTING PLIERS HEAVY DUTY
12	6808A12	SCRIBE	36	OO578807	SAFETY WIRE PLIERS LEFT AND RIGHT TWIST
13	5163A16	1/2 IN WRENCH	37	5299A29	8 IN NEEDLE NOSE PLIERS
14	5163A17	9/16 IN WRENCH	38	5855A13	8 OZ BALL PEEN HAMMER
15	5163A18	5/8 IN WRENCH	39	5914A2	PLASTIC MALLET
16	3575A12	STAKING PUNCH	40	5521A36	1/4 IN EXTENSION 3 INCHES
17	080-685-062WB	1/16 STARTER PUNCH	41	5543A86	7/16 IN DEEP WELL SOCKET M249 PISTOL GRIP
18	34185A65	1/16 IN PUNCH	42	5545A82	1.125 IN SOCKET BREECH LOCK CAM NUT
19	34185A67	1/8 IN PUNCH	43	6733A15	RAZOR BLADE
20	34185A68	5/32 IN PUNCH	44	5709A52	ALLEN WRENCH STANDARD SET
21	3421A53	3 MM PUNCH	45	3178A441	#7 DRILL FOR BARREL BUSHING
22	34185A7	3/16 IN PUNCH	46	7191A27	23 MM WRENCH M240 FLASH HIDER
23	3415A75	1/4 IN PUNCH	47	4433A34	COURSE/FINE STONE
24	34185A77	3/8 IN MODIFIED PUNCH	48	080-000-492WB	ARMORERS BLOCK

Ohio Ordnance Works, Inc.
PO Box 687, Chardon, Ohio 44024

phone: 440-285-3481
fax: 440-286-8571
sales inquiries: sales@oowinc.com
web: www.oowinc.com

Business Hours:
Monday-Friday:
8am-5pm (ET)



Manufacturer of Destructive Devices
Importer of Destructive Devices
Manufacturer and Exporter with the U.S. Department of State
Broker with the U.S. Department of State
Importer of U.S. Munitions Import List Articles
Cage Code: 1V2A7

