



# Parts Catalog

MACHINE GUN, ASSEMBLY, OOW240, OOW240B,  
OOW240C, OOW240D, OOW240E1, OOW240G,  
OOW240H, OOW240N

MAR 2016  
PCOOW240

phone: 440.285.3481 • fax: 440.286.8571 • web: [ohioordnanceworks.com](http://ohioordnanceworks.com)

# OOW240 Configurations



OOW240  
SKU: 11826290



OOW240E1  
SKU: 12597033



OOW240B  
SKU: 12976814



OOW240G  
SKU: 3592714



OOW240C  
SKU: 11826175



OOW240H  
SKU: 13008366



OOW240D  
SKU: 12977099



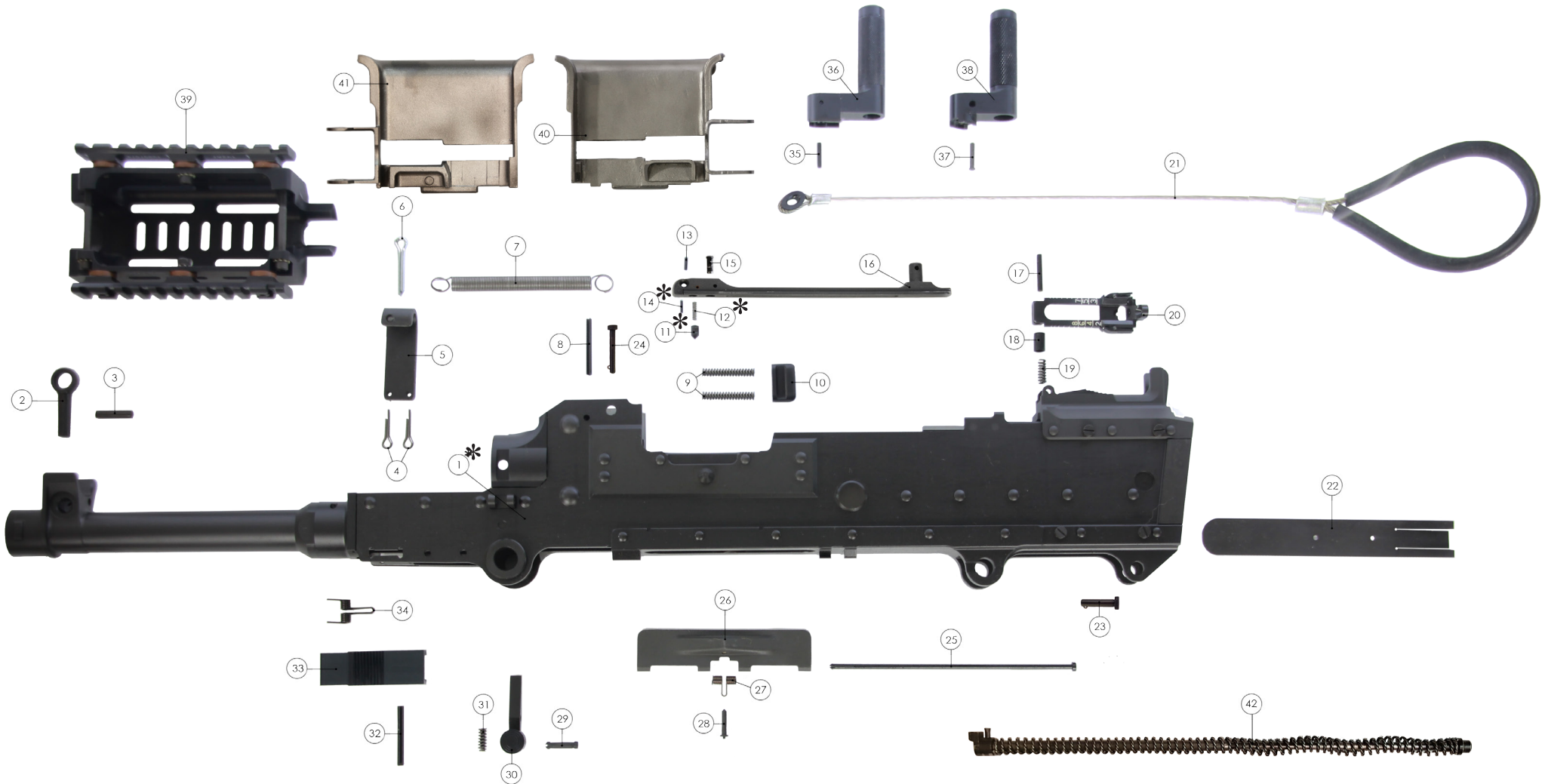
OOW240N  
SKU: 12999178

# Table of Contents

Receiver Assembly.....	3
Parts breakdown for Receiver Assembly.....	4
Bolt and Op Rod Assembly.....	5
Parts breakdown for Bolt and Op Rod Assembly.....	6
Top Cover Assembly (240, 240B, 240D, 240E1, 240G, 240H, 240N).....	7
Parts breakdown for Top Cover Assembly (240, 240B, 240D, 240E1, 240G, 240H, 240N).....	8
Top Cover Assembly (240C).....	9
Parts breakdown for Top Cover Assembly (240C).....	10
Trigger Housing Assembly (240B, 240G, 240N).....	11
Parts breakdown for Trigger Housing Assembly (240B, 240G, 240N).....	12
Trigger Housing Assembly (240, 240C, 240D, 240E1, 240H).....	13
Parts breakdown Trigger Housing Assembly (240, 240C, 240D, 240E1, 240H).....	14
Buffer Assembly (240, 240C).....	15
Parts breakdown for Buffer Assembly (240, 240C).....	16
Buffer Assembly (240D, 240E1, 240H).....	17
Parts breakdown for Buffer Assembly (240D, 240E1, 240H).....	18
Buttstock and Hydraulic Buffer Assembly (240B, 240N).....	19
Parts breakdown for Buttstock and Hydraulic Buffer Assembly (240B, 240N).....	20
Buttstock and Hydraulic Buffer Assembly (240G).....	21
Parts breakdown for Buttstock and Hydraulic Buffer Assembly (240G).....	22
Barrel Assembly (240B, 240D, 240G, 240H, 240N).....	23
Parts breakdown for Barrel Assembly (240B, 240D, 240G, 240H, 240N).....	24
Barrel Assembly (240E1).....	25
Parts breakdown for Barrel Assembly (240E1).....	26
Barrel Assembly (240, 240C).....	27
Parts breakdown for Barrel Assembly (240, 240C).....	28
Bipod Assembly (240B, 240G).....	29
Parts breakdown for Bipod Assembly (240B, 240G).....	30
Bipod Assembly (240H).....	31
Parts breakdown for Bipod Assembly (240H).....	32
Accessory Kit.....	33
Parts breakdown for Accessory Kit.....	34
Cleaning Kit.....	35
Parts breakdown for Cleaning Kit.....	36
Egress Kit.....	37
Accessory breakdown for Egress Kit.....	38
Hard Case with Custom Cut Foam.....	39
Shipping Crate.....	40
Operational Manual.....	41
Firearms Training and Instruction.....	42
Part Number Reference.....	43



**FIGURE 1. RECEIVER ASSEMBLY  
FOR ALL CONFIGURATIONS**



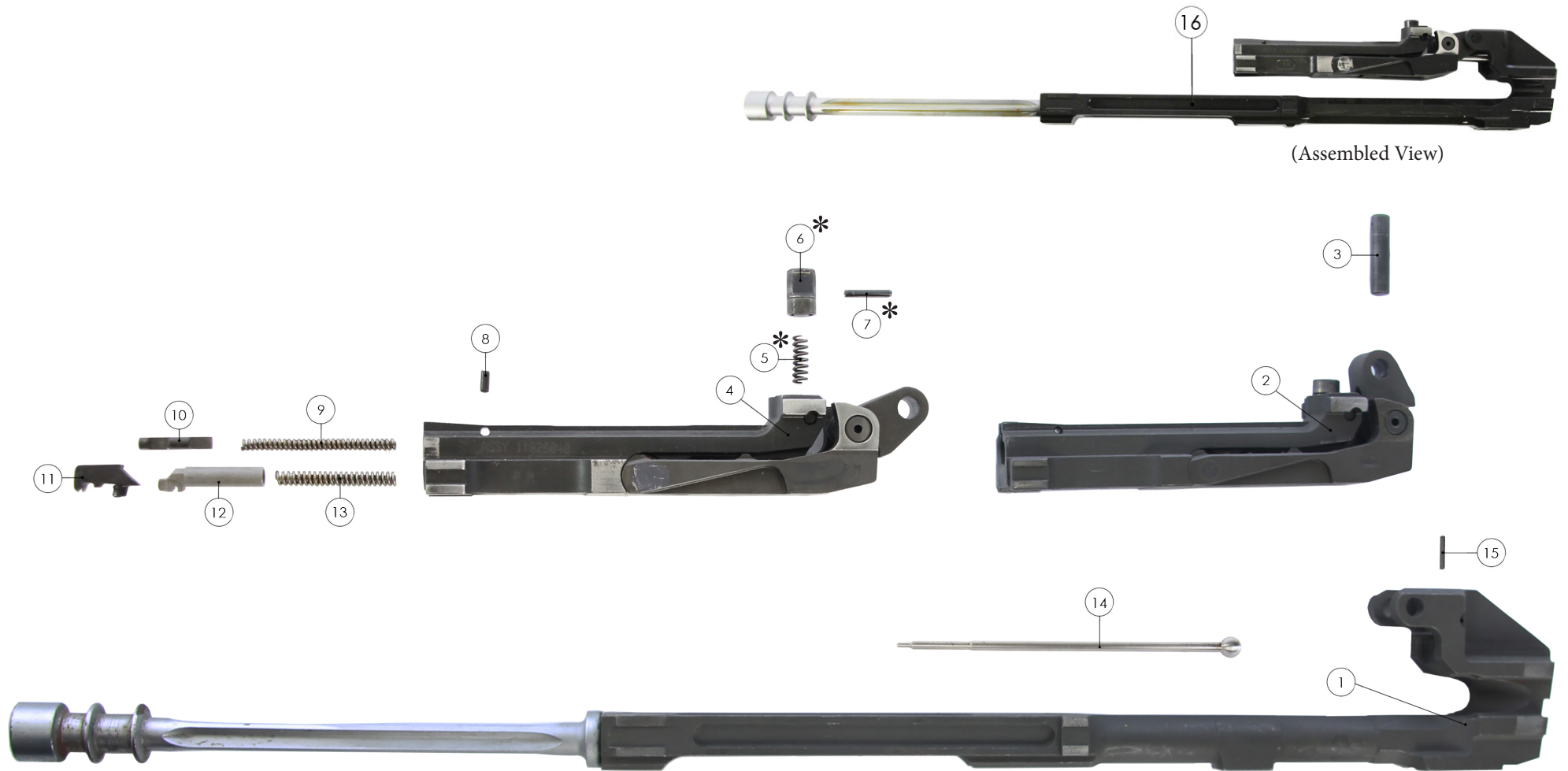
\*Not available for individual sale

Item Number	Part Number	NSN (EQUIVALENT)	Description	Configuration								
				240	240B	240C	240D	240E1	240G	240H	240N	
1*	11826080		RECEIVER BODY ASSEMBLY	X	X	X	X	X	X	X	X	X
2	12976847	5325-01-408-5439	SLING RING		X		X			X	X	X
3	MS39086-205	5315-00-836-0643	PIN, SLING RING		X		X			X	X	X
4	590479	5315-00-181-6984	PIN, COTTER				X	X			X	
5	11826153	1005-01-034-1617	PLATE, SPRING	X		X	X	X			X	
6	MS24665-437	5315-00-849-5579	PIN, COTTER	X		X	X	X			X	
7	11826155	5360-01-034-4115	SPRING, HELICAL	X		X	X	X			X	
8	11826068-2	5315-01-033-3889	PIN, TOP COVER DETENT	X	X	X	X	X	X	X	X	X
9	11826158	5360-01-034-1639	SPRING, TOP COVER DETENT	X	X	X	X	X	X	X	X	X
10	11826156	5340-01-033-3910	DETENT PLUNGER	X	X	X	X	X	X	X	X	X
11*	700005		CHARGING HANDLE DETENT	X	X	X	X	X	X	X	X	X
12*	12597045-1	5315-01-276-5877	SPRING, CHARGING HANDLE DETENT	X	X	X	X	X	X	X	X	X
13	MS16562-106	5315-00-058-6044	PIN, BOLT CATCH	X	X	X	X	X	X	X	X	X
14*	92373A106		PIN, CHARGING HANDLE DETENT	X	X	X	X	X	X	X	X	X
15	11826137		HEADED STRAIGHT PIN	X	X	X	X	X	X	X	X	X
16	11826135	1005-01-033-3629	SLIDE, CHARGER	X	X	X	X	X	X	X	X	X
17	12597056	5315-01-251-9722	HEADLESS STRAIGHT PIN		X		X	X	X	X	X	X
18	12597055	1005-01-251-9689	REAR SIGHT PLUNGER		X		X	X	X	X	X	X
19	12597054	5360-01-251-9724	SPRING, REAR SIGHT DETENT		X		X	X	X	X	X	X
20	12597046		REAR SIGHT ASSEMBLY		X		X	X	X	X	X	X
21	11826145	1005-01-032-8145	CABLE CHARGER	X		X						
22	11826122	5340-01-033-1484	ACCESS COVER	X	X	X	X	X	X	X	X	X
23	11826160	5315-01-033-3888	PIN, SPRING	X	X	X	X	X	X	X	X	X
24	11826277	5315-01-035-0827	PIN, SPRING	X	X	X	X	X	X	X	X	X
25	12976846	5315-01-435-8728	HINGE PIN		X						X	X
26	12976843	1005-01-441-5758	EJECTION PORT COVER		X						X	X
27	12976844	5360-01-440-4914	HELICAL TORSION SPRING		X						X	X
28	12976845	5340-01-440-3809	PLUNGER CATCH		X						X	X
29	11826130	5315-01-033-3885	PIN, GROOVED, HEADED	X	X	X	X	X	X	X	X	X
30	12997500	1005-01-484-9927	BARREL LATCH ASSEMBLY	X	X	X	X	X	X	X	X	X
31	11826131	5360-01-033-8884	SPRING, BARREL LOCK. LATCH EXT.	X	X	X	X	X	X	X	X	X
32	12976850	5315-01-409-0136	PIN, BIPOD LATCH		X					X		X
33	12976848	5342-01-408-5435	BIPOD LATCH		X					X		X
34	12976849	5360-01-408-5998	BODY LATCH SPRING		X					X		X
35	MS39086-406	5315-01-276-5877	SPRING PIN		X			X			X	
36	12999957	1005-01-522-0758	HANDLE, OFFSET CHARGING		X						X	
37	12977107	5315-01-460-3383	PIN, CHARGING HANDLE				X					
38	12977106	5355-01-464-1091	HANDLE, OFFSET CHARGING				X					
39	12997576		ACCESSORY RAIL ASSEMBLY		X						X	
40	11826006	1005-01-032-8143	FEED TRAY	X	X		X	X	X	X	X	X
41	11826020	1005-01-091-0683	FEED TRAY RH			X						
42	11826024	1005-01-035-0828	DRIVING SPRING ROD ASSEMBLY	X	X	X	X	X	X	X	X	X

\* Not available for individual sale

**PARTS BREAKDOWN TABLE FOR FIGURE 1. RECEIVER ASSEMBLY**

**FIGURE 2. BOLT AND OP ROD ASSEMBLY  
FOR ALL CONFIGURATIONS**



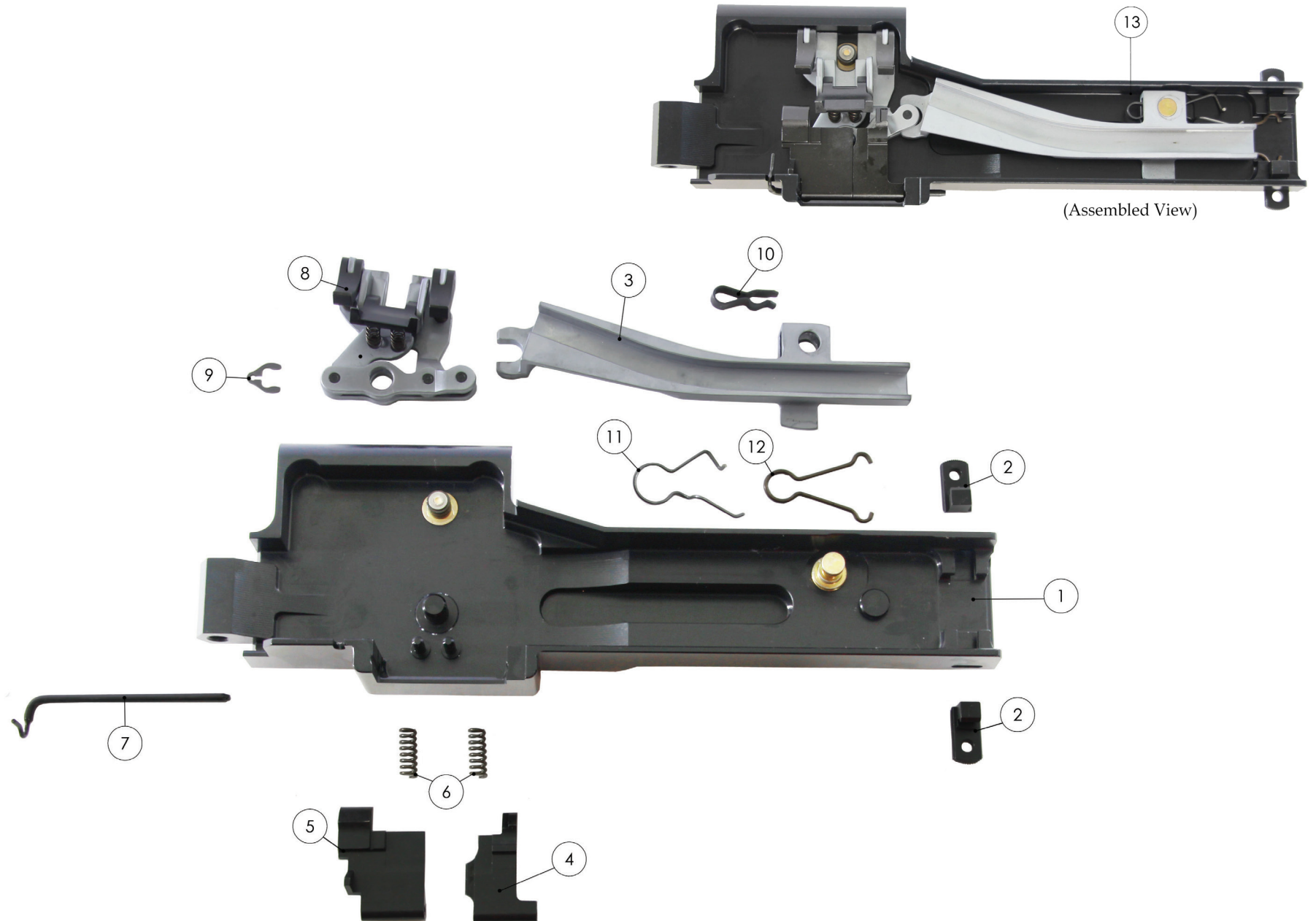
\*Not available for individual sale

Item Number	Part Number	NSN (EQUIVALENT)	Description	Configuration							
				240	240B	240C	240D	240E1	240G	240H	240N
1	12976867	1005-01-413-6992	ROD ASSEMBLY, OPERATING		X		X		X	X	X
2	11826057		BOLT ASSEMBLY	X	X	X	X	X	X	X	X
3	11826054	5315-01-037-5586	SPRING PIN	X	X	X	X	X	X	X	X
4	11826040	1005-01-033-9410	BOLT, BREECH BODY ASSEMBLY	X	X	X	X	X	X	X	X
5 *	11826046	5360-01-133-8874	SPRING, HELICAL, COMPRESSION	X	X	X	X	X	X	X	X
6 *	11826042	3120-01-127-8980	ROLLER, LINEAR ROTARY	X	X	X	X	X	X	X	X
7 *	11826047	5315-01-158-7862	PIN, BOLT ROLLER RETAINING	X	X	X	X	X	X	X	X
8	11826068-3	5315-01-033-3887	PIN, EJECTOR RETAINING	X	X	X	X	X	X	X	X
9	11826069	5360-01-033-8885	SPRING, HELICAL	X	X	X	X	X	X	X	X
10	11826067	1005-01-033-1525	EJECTOR, CARTRIDGE	X	X	X	X	X	X	X	X
11	11826060	1005-01-033-4538	EXTRACTOR, CARTRIDGE	X	X	X	X	X	X	X	X
12	11826061	1005-01-032-8142	PLUNGER, EXTRACTOR	X	X	X	X	X	X	X	X
13	11826062	5360-13-110-9364	SPRING ASSEMBLY	X	X	X	X	X	X	X	X
14	11826065	1005-01-033-1523	FIRING PIN	X	X	X	X	X	X	X	X
15	11826068-1	5315-01-033-8873	SPRING PIN	X	X	X	X	X	X	X	X
16	12976866		BOLT & OPROD ASSEMBLY		X		X		X	X	X

**PARTS BREAKDOWN TABLE FOR FIGURE 2. BOLT AND OP ROD ASSEMBLY**

\* Not available for individual sale

**FIGURE 3. TOP COVER ASSEMBLY  
FOR CONFIGURATIONS 240, 240B, 240D, 240E1, 240G, 240H, 240N**

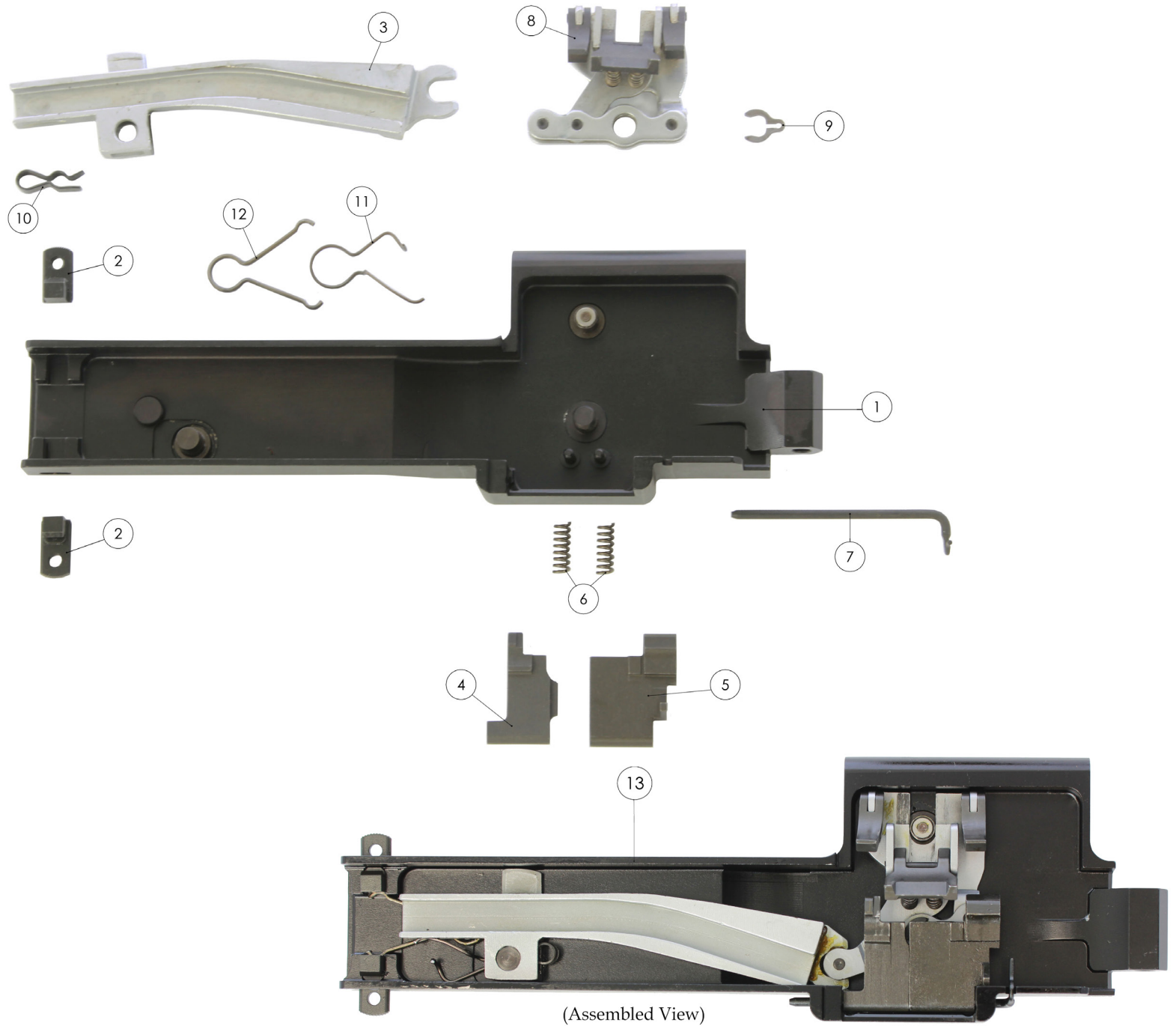




Item Number	Part Number	NSN (EQUIVALENT)	Description	Configuration							
				240	240B	240C	240D	240E1	240G	240H	240N
1	12977102	1005-01-432-9538	OPTICAL SIGHT COVER	X	X		X	X	X	X	X
2	11826206	5342-01-032-8148	COVER LATCH	X	X		X	X	X	X	X
3	11826209	1005-01-033-3897	FEED LEVER	X	X		X	X	X	X	X
4	11826207	1005-01-033-1516	CARTRIDGE GUIDE, LEFT HAND	X	X		X	X	X	X	X
5	11826208	1005-01-032-8154	CARTRIDGE GUIDE	X	X		X	X	X	X	X
6	11826201	5360-01-033-8385	HELICAL SPRING	X	X		X	X	X	X	X
7	11826205	5315-01-033-3898	PAWL RETAINING PIN	X	X		X	X	X	X	X
8	11826177	1005-01-033-1501	FEED PAWL, LEFT HAND	X	X		X	X	X	X	X
9	11826200	5325-01-033-3927	RETAINING RING	X	X		X	X	X	X	X
10	11826202	5315-01-033-8872	LOCK PIN	X	X		X	X	X	X	X
11	11826204	5340-01-033-6597	RETAINING CLIP	X	X		X	X	X	X	X
12	11826203	5340-01-033-6598	RETAINING CLIP	X	X		X	X	X	X	X
13	12977101		COVER ASSEMBLY	X	X		X	X	X	X	X

**PARTS BREAKDOWN TABLE FOR FIGURE 3. TOP COVER ASSEMBLY FOR CONFIGURATIONS 240, 240B, 240D, 240E1, 240G, 240H, 240N**

**FIGURE 4. TOP COVER ASSEMBLY  
FOR CONFIGURATION 240C**



Item Number	Part Number	NSN (EQUIVALENT)	Description	Configuration							
				240	240B	240C	240D	240E1	240G	240H	240N
1	11826022	1005-01-090-8052	COVER, FRAME, RIGHT HAND			X					
2	11826206	5342-01-032-8148	COVER LATCH			X					
3	11826039	1005-01-090-8050	LEVER, FEED, RIGHT HAND			X					
4	11826035	1005-01-090-8121	REAR CARTRIDGE GUIDE, RIGHT HAND			X					
5	11826023	1005-01-090-8120	CARTRIDGE GUIDE, RIGHT HAND			X					
6	11826201	5360-01-033-8385	HELICAL SPRING			X					
7	11826018	5315-01-090-8051	PIN, PAWL RETAINING			X					
8*	11826017	1005-01-091-0682	FEED PAWL, RIGHT HAND			X					
9	11826200	5325-01-033-3927	RETAINING RING			X					
10	11826202	5315-01-033-8872	LOCK PIN			X					
11	11826204	5340-01-033-6597	RETAINING CLIP			X					
12	11826203	5340-01-033-6598	RETAINING CLIP			X					
13	11826038		COVER, ASSEMBLY, RIGHT HAND			X					

**PARTS BREAKDOWN TABLE FOR FIGURE 4. TOP COVER ASSEMBLY  
FOR CONFIGURATION 240C**

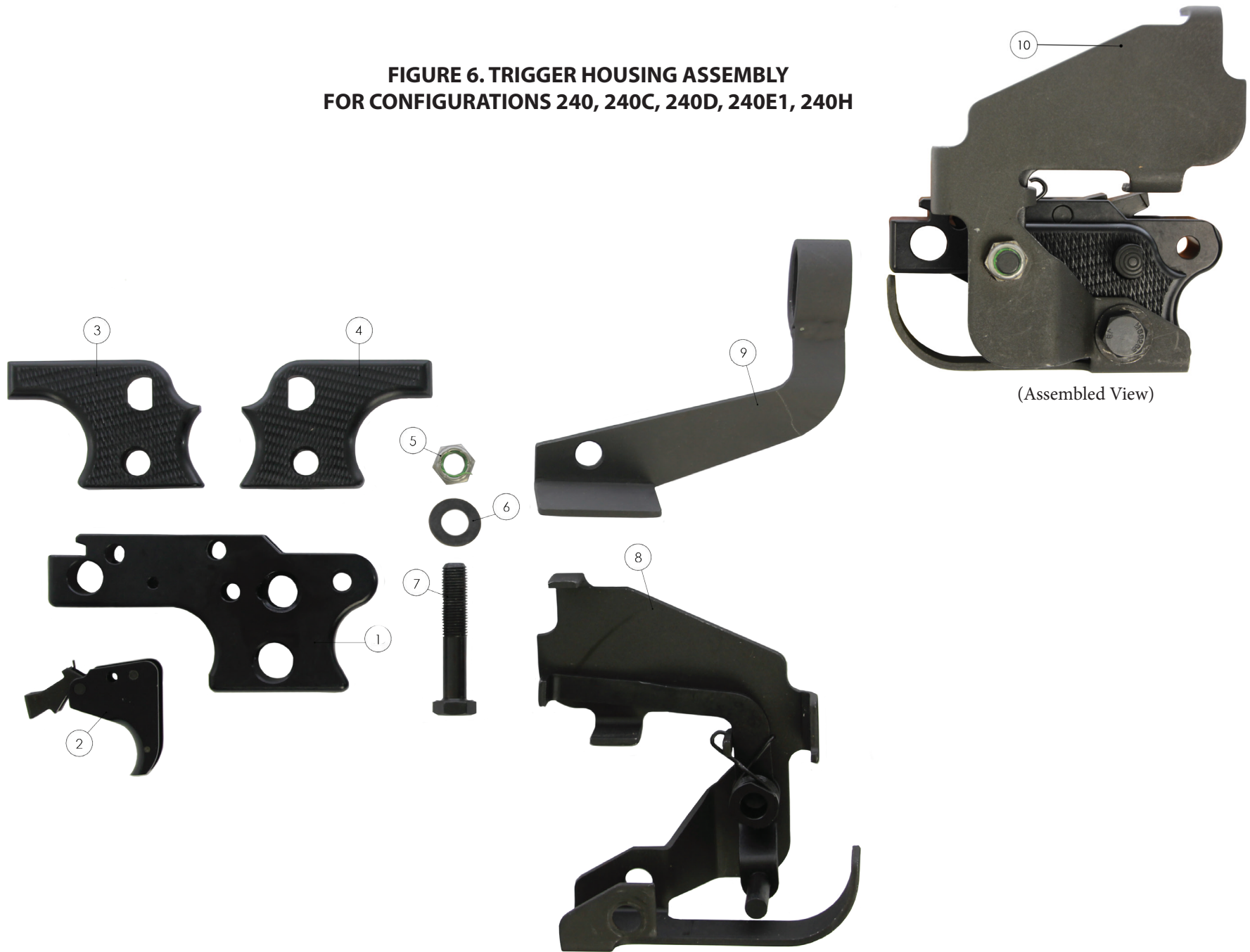
**FIGURE 5. TRIGGER HOUSING ASSEMBLY  
FOR CONFIGURATIONS 240B, 240G AND 240N**



Item Number	Part Number	NSN (EQUIVALENT)	Description	Configuration							
				240	240B	240C	240D	240E1	240G	240H	240N
1	12976876		FRAME, TRIGGER		X				X		X
2	12976875	1005-01-410-8498	GUARD, TRIGGER		X				X		X
3	12976874	1005-01-410-8544	PIN, HEADED, TRIGGER GUARD		X				X		X
4	11826258	1005-01-033-8328	SAFETY, SMALL ARMS	X	X	X	X	X	X	X	X
5	11826255	5315-01-033-3890	PIN, STRAIGHT	X	X	X	X	X	X	X	X
6	12976882	1005-01-409-0144	SEAR	X	X	X	X	X	X	X	X
7	12976870	1005-01-408-4361	TRIGGER ASSEMBLY		X				X		X
8	11826254	5360-01-033-1535	SPRING, HELICAL	X	X	X	X	X	X	X	X
9	12976880	5305-01-408-4953	SCREW, GRIP		X				X		X
10	12976881	1005-01-408-5416	GRIP, LEFT		X				X		X
11	12976877	1005-01-408-4600	GRIP ASSEMBLY, RIGHT		X				X		X
12	11826250	5315-01-034-1583	PIN, STRAIGHT	X	X	X	X	X	X	X	X
13	12976869	1005-01-408-6669	TRIGGER HOUSING ASSEMBLY		X				X		X

**PARTS BREAKDOWN TABLE FOR FIGURE 5. TRIGGER HOUSING ASSEMBLY  
FOR CONFIGURATIONS 240B, 240G AND 240N**

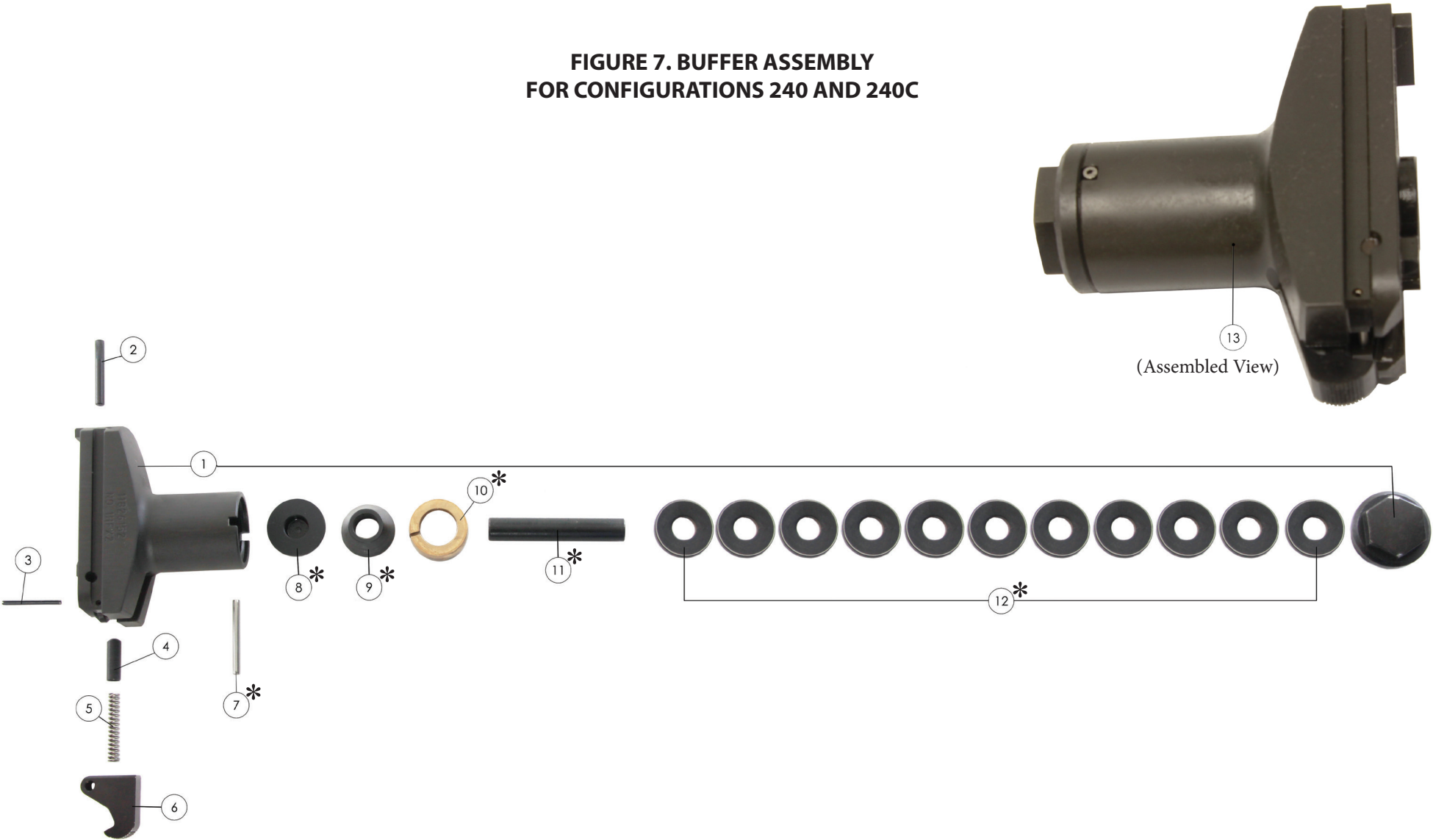
**FIGURE 6. TRIGGER HOUSING ASSEMBLY  
FOR CONFIGURATIONS 240, 240C, 240D, 240E1, 240H**



Item Number	Part Number	NSN (EQUIVALENT)	Description	Configuration							
				240	240B	240C	240D	240E1	240G	240H	240N
1	11826231	1005-01-033-3646	HOUSING, TRIGGER	X		X	X	X		X	
2	11826240	1005-01-033-1526	TRIGGER	X		X	X	X		X	
3	11826232-1	1005-01-033-1528	GRIP, MACHINE GUN, LEFT	X		X	X	X		X	
4	11826232-2	1005-01-034-4113	GRIP, MACHINE GUN, RIGHT	X		X	X	X		X	
5	MS21083C6	5310-00-956-4549	SELF LOCKING NUT	X		X	X	X		X	
6	MS15795-814B	5310-00-036-6770	FLAT WASHER	X		X	X	X		X	
7	MS9286-24	5306-01-192-0677	MACHINE BOLT	X		X	X	X		X	
8	12597071	1005-01-251-9696	ACTUATING ASSEMBLY				X	X		X	
9	11826234	1005-01-033-1502	GUIDE, CHARGING CABLE	X		X					
10	13008368	1005-01-525-5050	TRIGGER HOUSING ASSEMBLY				X			X	

**PARTS BREAKDOWN TABLE FOR FIGURE 6. TRIGGER HOUSING ASSEMBLY  
FOR CONFIGURATIONS 240, 240C, 240D, 240E1, 240H**

**FIGURE 7. BUFFER ASSEMBLY  
FOR CONFIGURATIONS 240 AND 240C**



\*Not available for individual sale

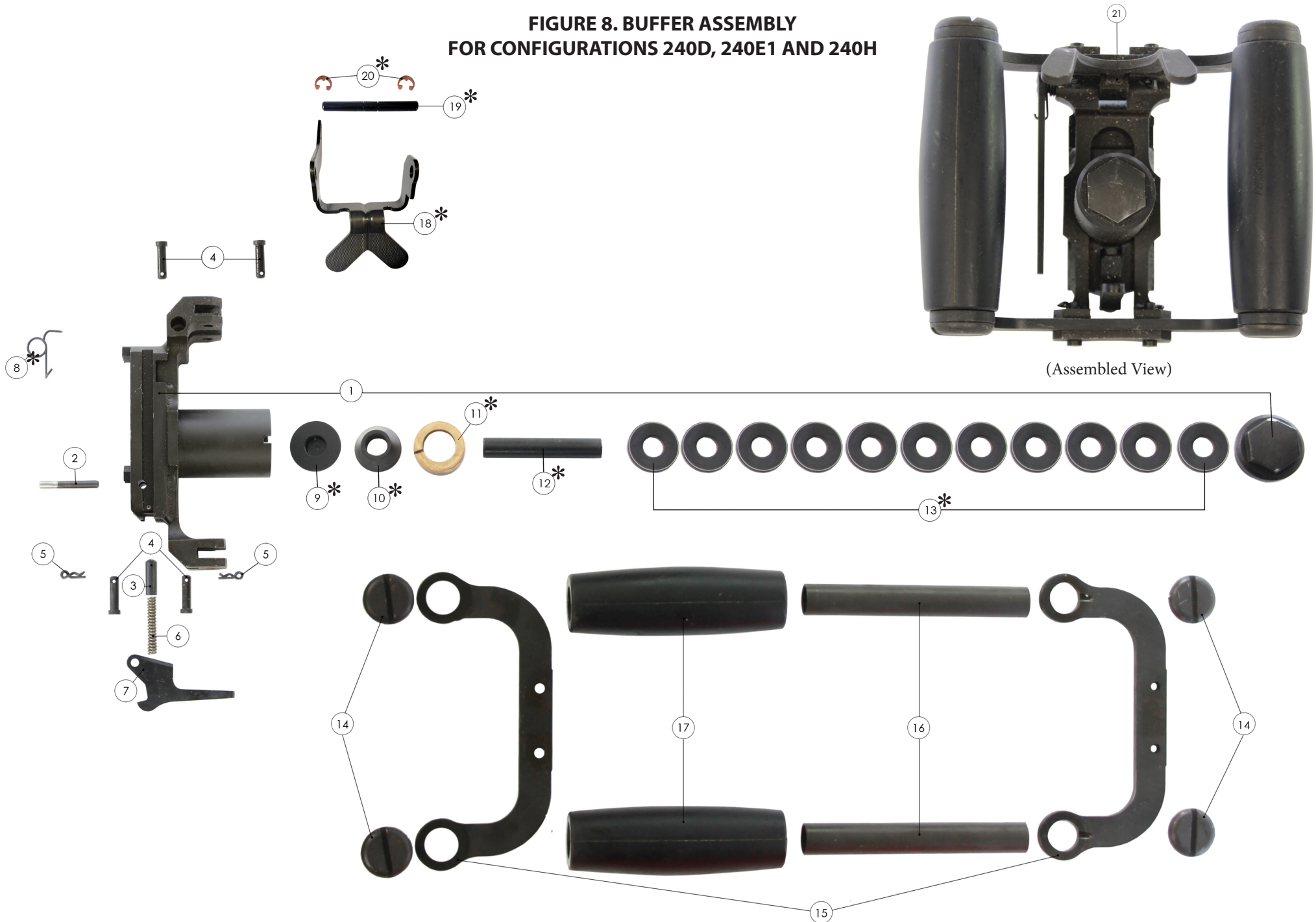


Item Number	Part Number	NSN (EQUIVALENT)	Description	Configuration							
				240	240B	240C	240D	240E1	240G	240H	240N
1	11826152		BUFFER HOUSING AND PLUG ASSEMBLY	X		X					
2	11826216	5315-01-033-3886	HEADED STRAIGHT PIN	X		X					
3	MS171475	5315-00-806-0213	PIN, BUTTSTOCK BUFFER HOUSING	X		X					
4	11826215	5340-01-033-3909	DETENT PLUNGER	X		X					
5	11826214	5360-01-033-3926	SPRING, BACK PLATE LATCH	X		X					
6	11826213	5340-01-032-8147	BACK PLATE LATCH	X		X					
7*	MS39086-147	5315-00-832-4132	SPRING PIN	X		X					
8*	11826218	1005-01-033-1505	PLUG, BUFFER	X		X					
9*	11826219	1005-01-032-8149	CONE, BUFFER, BRAKING	X		X					
10*	11826220	1005-01-032-8150	EXPANSION RING	X		X					
11*	11826222	5365-01-033-3931	SPACER SLEEVE	X		X					
12*	11826221	5310-01-033-3851	SPRING WASHER ASSEMBLY	X		X					
13	11826211	1005-01-257-9253	BUFFER ASSEMBLY	X		X					

**PARTS BREAKDOWN TABLE FOR FIGURE 7. BUFFER ASSEMBLY  
FOR CONFIGURATIONS 240 AND 240C**

\* Not available for individual sale

**FIGURE 8. BUFFER ASSEMBLY  
FOR CONFIGURATIONS 240D, 240E1 AND 240H**



\* Not available for individual sale

Item Number	Part Number	NSN (EQUIVALENT)	Description	Configuration							
				240	240B	240C	240D	240E1	240G	240H	240N
1	11826152		BUFFER, HOUSING AND PLUG ASSEMBLY				X	X		X	
2	MS171475	5315-00-806-0213	PIN, BUTTSTOCK BUFFER HOUSING	X		X	X	X		X	
3	11826215	5340-01-033-3909	DETENT PLUNGER	X		X	X	X		X	
4	5152854	5315-00-515-2854	PIN, STRAIGHT, HEADED				X	X		X	
5	7312517	5315-00-731-2517	PIN, LOCK				X	X		X	
6	11826214	5360-01-033-3926	SPRING, BACK PLATE LATCH	X		X	X	X		X	
7	12976861	5340-01-251-9695	BACK PLATE LATCH				X	X		X	
8*	12597069	5360-01-251-9725	HELICAL TORSION ARM SPRING				X	X		X	
9*	11826218	1005-01-033-1505	PLUG, BUFFER	X		X	X	X		X	
10*	11826219	1005-01-032-8149	CONE, BUFFER, BRAKING	X		X	X	X		X	
11*	11826220	1005-01-032-8150	EXPANSION RING	X			X	X		X	
12*	11826222	5365-01-033-3931	SPACER SLEEVE	X		X	X	X		X	
13*	11826221	5310-01-033-3851	SPRING WASHER ASSEMBLY	X		X	X	X		X	
14	5009394	5305-00-500-9394	SCREW, MACHINE	X		X	X	X		X	
15	6008937	5340-00-600-8937	FRAME, HANDLE, UPPER	X		X	X	X		X	
16	5009369	1005-00-918-2617	TUBE, HANDLE GRIP PLATE ASSEMBLY	X		X	X	X		X	
17	7265561	1005-00-726-5561	GRIP, MACHINE GUN HANDLE	X		X	X	X		X	
18*	13011320	1005-01-549-8488	TRIGGER, SPADE, ACTUATING				X	X		X	
19*	13011321	5315-01-550-2775	PIN, PIVOT, SPADE TRIGGER				X	X		X	
20*	MS3215-4025	5325-01-121-8093	RING, RETAINING,EXTERNAL				X	X		X	
21	12597057	1005-01-251-9692	SPADE GRIP AND BUFFER ASSY				X	X		X	

**PARTS BREAKDOWN TABLE FOR FIGURE 8. BUFFER ASSEMBLY  
FOR CONFIGURATIONS 240D, 240E1 AND 240H**

\*Not available for individual sale

**FIGURE 9. BUTTSTOCK AND HYDRAULIC BUFFER ASSEMBLY  
FOR CONFIGURATIONS 240B AND 240N**



Item Number	Part Number	NSN (EQUIVALENT)	Description	Configuration							
				240	240B	240C	240D	240E1	240G	240H	240N
1	11826216	5315-01-033-3886	HEADED STRAIGHT PIN		X				X		X
2	11826215	5340-01-033-3909	DETENT PLUNGER		X				X		X
3	11826214	5360-01-033-3926	SPRING, BACK PLATE LATCH		X				X		X
4	12976861	1030-01-408-3594	BUFFER CATCH		X				X		X
5	12988984	1005-01-472-8350	HYDRAULIC BUFFER ASSEMBLY		X						X
6	12976852	1005-01-453-9051	BUTTSTOCK ASSEMBLY		X				X		X
7	12988985	5305-01-461-0327	BUTT SCREW		X						X
8	12976863	1005-01-408-5417	BUTTPLATE		X				X		X
9	12976864	5305-01-408-4890	BUTTPLATE SCREW		X				X		X
10	12988986	1005-01-461-2658	BUFFER AND BUTTSTOCK ASSEMBLY		X						X

**PARTS BREAKDOWN TABLE FOR FIGURE 9. BUTTSTOCK AND HYDRAULIC BUFFER ASSEMBLY  
FOR CONFIGURATIONS 240B AND 240N**

**FIGURE 10. BUTTSTOCK AND HYDRAULIC BUFFER ASSEMBLY  
FOR CONFIGURATION 240G**



Item Number	Part Number	NSN (EQUIVALENT)	Description	Configuration							
				240	240B	240C	240D	240E1	240G	240H	240N
1	12976859	1030-01-408-3597	BUFFER BLOCK						X		
2	11826216	5315-01-033-3886	HEADED STRAIGHT PIN		X				X		X
3	11826215	5340-01-033-3909	DETENT PLUNGER		X				X		X
4	11826214	5360-01-033-3926	SPRING, BACK PLATE LATCH		X				X		X
5	12976861	1030-01-408-3594	BUFFER CATCH		X				X		X
6	12976852	1005-01-453-9051	BUTTSTOCK ASSEMBLY		X				X		X
7*	11826218	1005-01-033-1505	PLUG, BUFFER						X		
8*	11826219	1005-01-032-8149	CONE, BUFFER, BRAKING						X		
9*	11826220	1005-01-032-8150	EXPANSION RING						X		
10*	11826222	5365-01-033-3931	SPACER SLEEVE						X		
11*	11826221	5310-01-033-3851	SPRING WASHER ASSEMBLY						X		
12*	93013A3204	5310-01-408-3628	RETAINING TAB WASHER						X		
13*	93013A3201	1005-01-408-4891	BUSHING BUFFER BLOCK						X		
14	12976862	5305-01-408-4892	BUTT SCREW						X		
15	12976863	1005-01-408-5417	BUTTPLATE		X				X		X
16	12976864	5305-01-408-4890	BUTTPLATE SCREW		X				X		X
17	12976851	1005-01-408-5901	BUTTSTOCK/BUFFER ASSEMBLY						X		

**PARTS BREAKDOWN TABLE FOR FIGURE 10. BUTTSTOCK AND HYDRAULIC BUFFER ASSEMBLY  
FOR CONFIGURATION 240G**

**FIGURE 11. BARREL ASSEMBLY  
FOR CONFIGURATIONS 240B, 240D, 240G, 240H AND 240N**

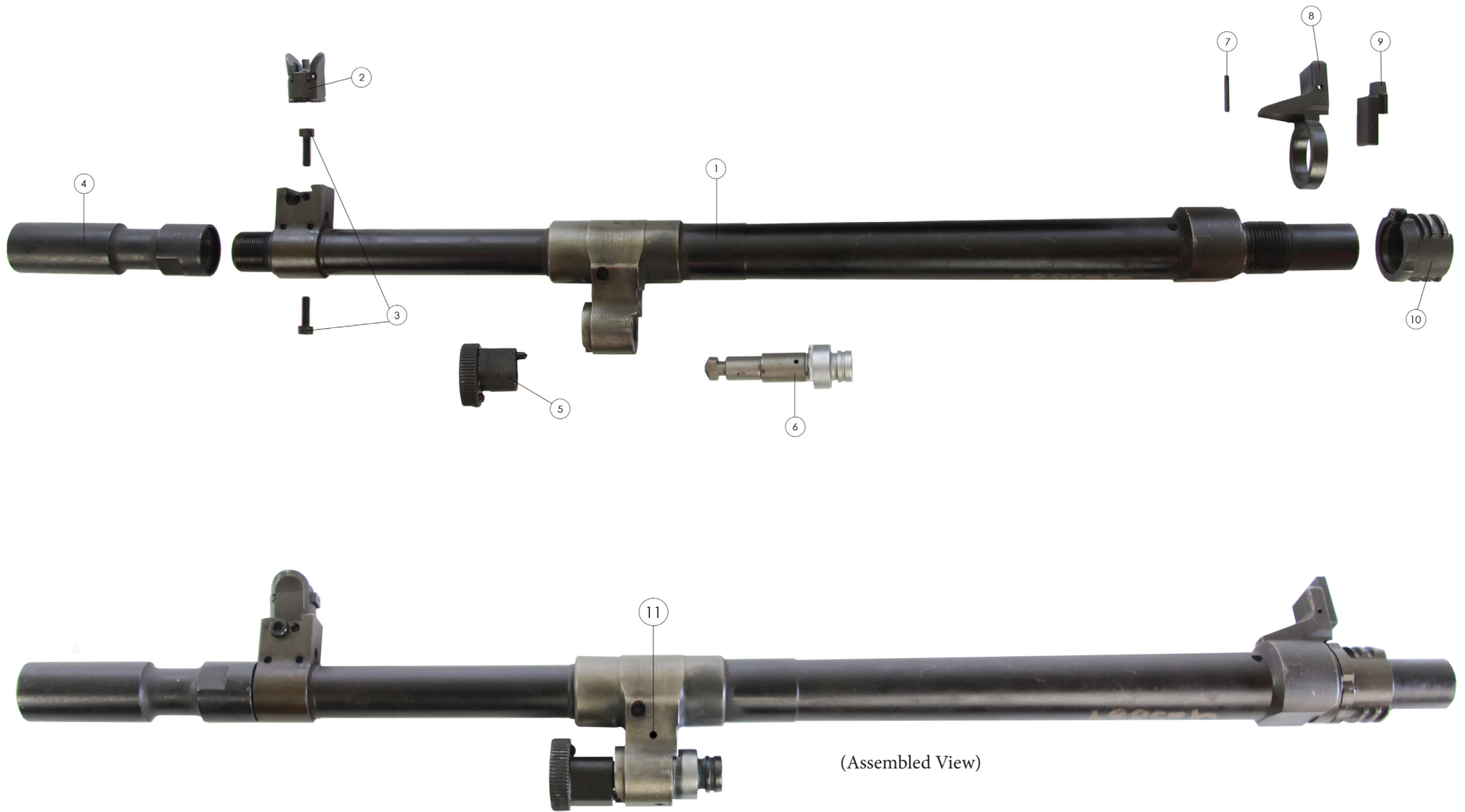




Item Number	Part Number	NSN (EQUIVALENT)	Description	Configuration								
				240	240B	240C	240D	240E1	240G	240H	240N	
1	12597036	1005-01-251-9757	BARREL, MACHINE GUN		X		X	X	X	X	X	X
2	12597038		SIGHT ASSEMBLY, FRONT		X		X	X	X	X	X	X
3	12597043	5305-01-251-9731	SCREW, SELF-LOCKING FRONT SIGHT		X		X	X	X	X	X	X
4	12976830	1030-01-408-3578	FLASH HIDER		X		X		X			X
5	11825992	1005-01-036-7160	COLLAR, GAS REGULATOR	X	X	X	X	X	X	X	X	X
6	13001601	1005-01-512-6424	PLUG, GAS REG, SINGLE PORT		X						X	
7	13016091	1005-01-561-3292	FLASH HIDER								X	
8	12976831	1005-01-431-0664	HEAT SHIELD ASSEMBLY		X							
9	12976819	1005-01-408-3585	CARRYING HANDLE ASSEMBLY		X		X		X	X	X	X
10	11826001	1005-01-033-3900	BARREL ADAPTER, MACHINE	X	X	X	X	X	X	X	X	X
11	12976827	5360-01-410-9257	SPRING, CATCH, BARREL		X		X		X	X	X	X
12	12976828	1005-01-408-5419	CATCH BRACKET, BARREL		X		X		X	X	X	X
13	13008850		BARREL ASSEMBLY		X							

**PARTS BREAKDOWN TABLE FOR FIGURE 11. BARREL ASSEMBLY  
FOR CONFIGURATIONS 240B, 240D, 240G, 240H AND 240N**

**FIGURE 12. BARREL ASSEMBLY  
FOR CONFIGURATION 240E1**

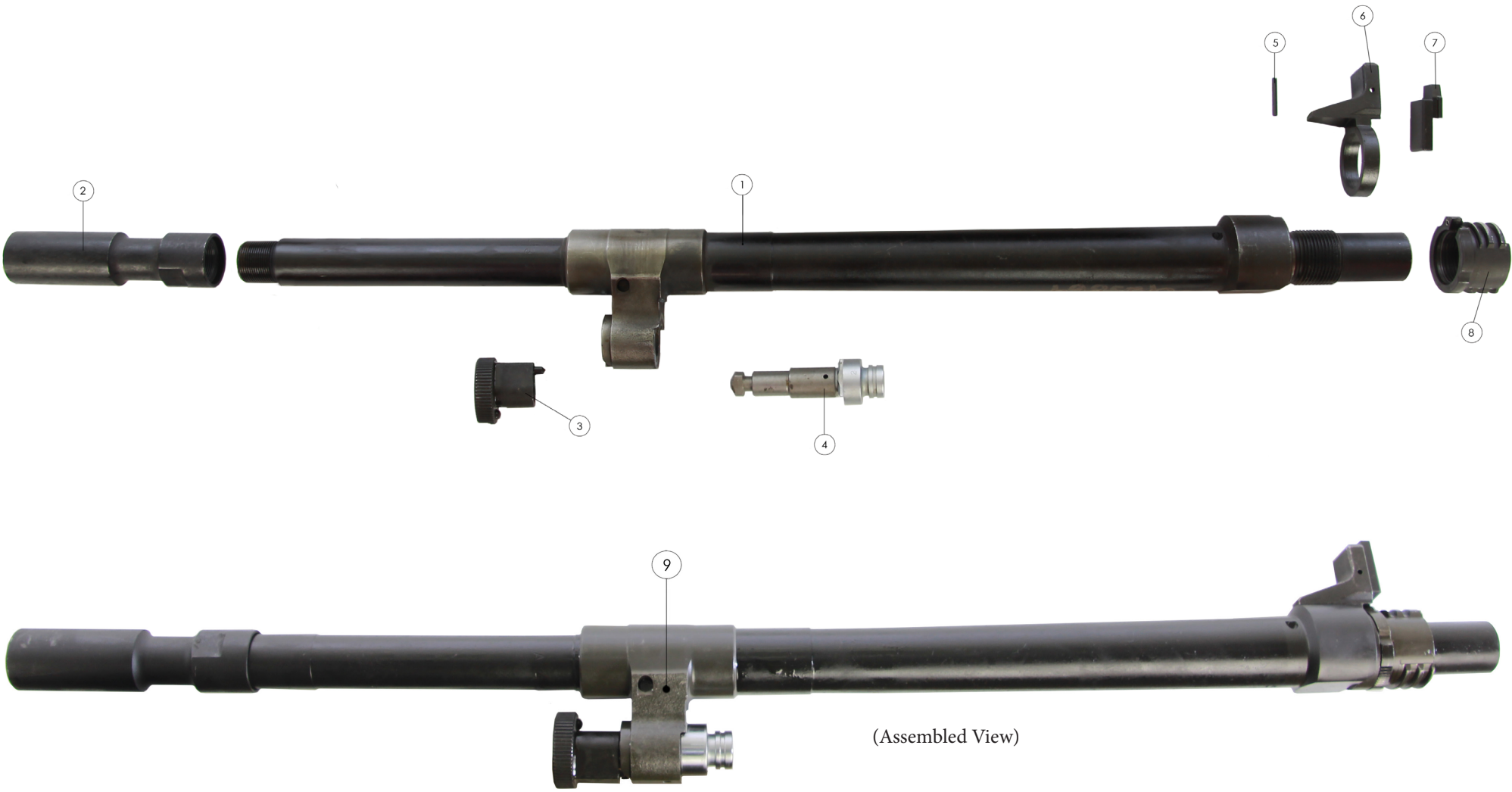


(Assembled View)

Item Number	Part Number	NSN (EQUIVALENT)	Description	Configuration								
				240	240B	240C	240D	240E1	240G	240H	240N	
1	12597036	1005-01-251-9757	BARREL, MACHINE GUN		X		X	X	X	X	X	X
2	12597038		SIGHT ASSEMBLY, FRONT		X		X	X	X	X	X	X
3	12597043	5305-01-251-9731	SCREW, SELF-LOCKING FRONT SIGHT		X		X	X	X	X	X	X
4	11826002	1005-01-032-8152	FLASH HIDER	X		X		X				
5	11825992	1005-01-036-7160	COLLAR, GAS REGULATOR	X	X	X	X	X	X	X	X	X
6	11826003	1005-01-033-3899	PLUG, GAS REG, (3 POSITION)	X		X		X	X			X
7	MS16562-122	5315-00-710-2735	SPRING PIN	X		X		X				
8	11825997	1005-01-034-6503	BARREL RELEASE	X		X		X				
9	11825999	5340-01-032-8146	LATCH BARREL	X		X		X				
10	11826001	1005-01-033-3900	BARREL ADAPTER, MACHINE	X	X	X	X	X	X	X	X	X
11	12597035	1005-01-251-9701	BARREL ASSEMBLY					X				

**PARTS BREAKDOWN TABLE FOR FIGURE 12. BARREL ASSEMBLY  
FOR CONFIGURATION 240E1**

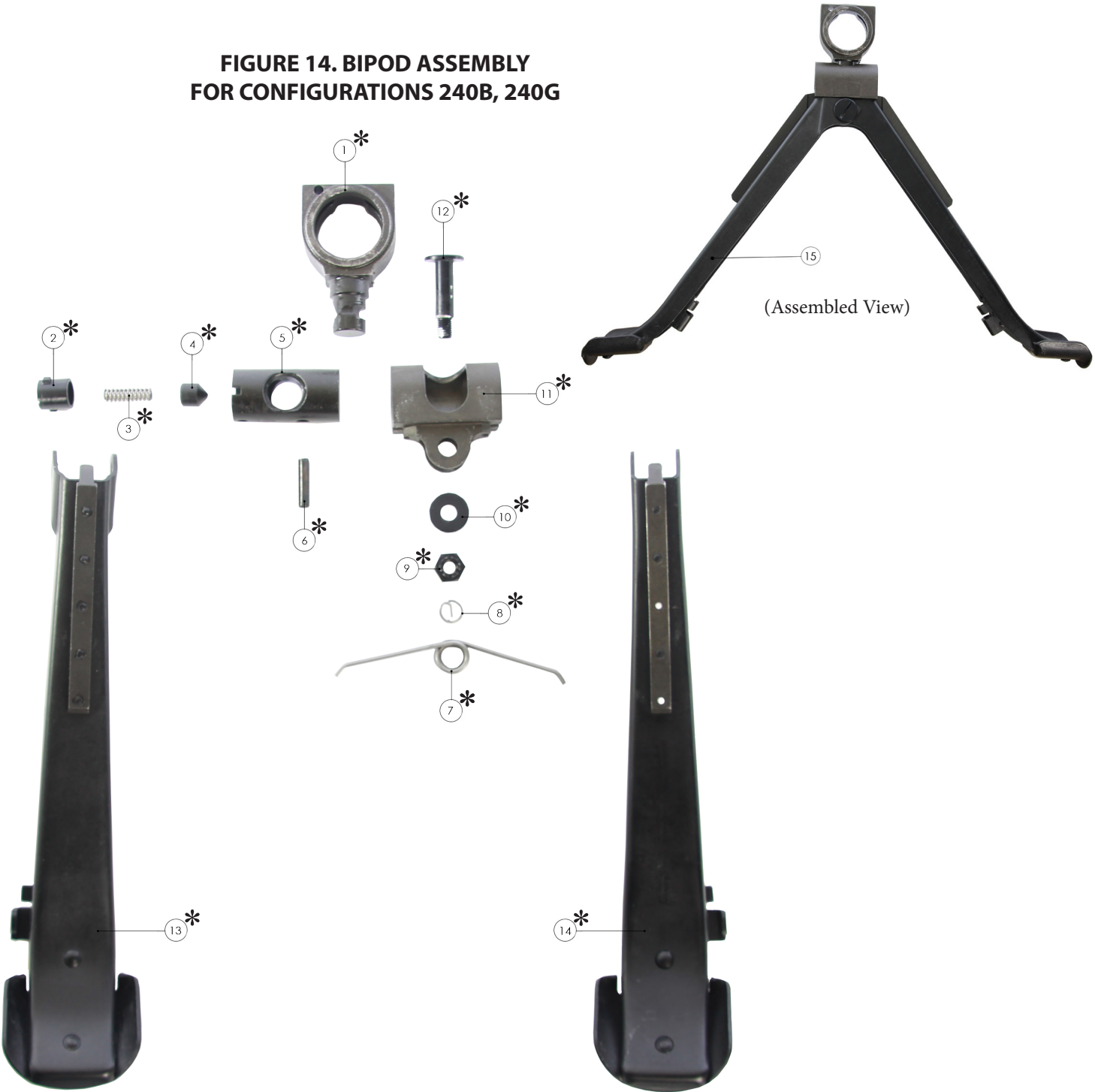
**FIGURE 13. BARREL ASSEMBLY  
FOR CONFIGURATIONS 240 AND 240C**



Item Number	Part Number	NSN (EQUIVALENT)	Description	Configuration								
				240	240B	240C	240D	240E1	240G	240H	240N	
1	11825986		BARREL, MACHINE GUN	X		X						
2	11826002	1005-01-032-8152	FLASH HIDER	X		X		X				
3	11825992	1005-01-036-7160	COLLAR, GAS REGULATOR	X	X	X	X	X	X	X	X	X
4	11826003	1005-01-033-3899	PLUG, GAS REG, (3 POSITION)	X		X		X	X			X
5	MS16562-122	5315-00-710-2735	SPRING PIN	X		X		X				
6	11825997	1005-01-034-6503	BARREL RELEASE	X		X		X				
7	11825999	5340-01-032-8146	LATCH BARREL	X		X		X				
8	11826001	1005-01-033-3900	BARREL ADAPTER, MACHINE	X	X	X	X	X	X	X	X	X
9	11825985	1005-01-044-1026	BARREL ASSEMBLY	X		X						

**PARTS BREAKDOWN TABLE FOR FIGURE 13. BARREL ASSEMBLY  
FOR CONFIGURATIONS 240 AND 240C**

**FIGURE 14. BIPOD ASSEMBLY  
FOR CONFIGURATIONS 240B, 240G**



\* Not available for individual sale

Item Number	Part Number	NSN (EQUIVALENT)	Description	Configuration							
				240	240B	240C	240D	240E1	240G	240H	240N
1*	12976900		HEAD, BIPOD		X				X		
2*	12976899	5360-01-408-6000	SPRING, HELICAL COMPRESSION		X				X		
3*	12976898	5315-01-408-6676	BUSHING, RETAINING HEAD		X				X		
4*	12976901	1005-01-408-5438	PLUNGER, RETAINING, BIPOD		X				X		
5*	12976903	1005-01-408-5437	CYLINDER, ACTUATING		X				X		
6*	12976904	5315-01-408-6413	PIN, SPRING, TUBULAR, SLOTTED		X				X		
7*	12976905	5360-01-408-6675	SPRING, LEG		X				X		
8*	12976906	5325-01-408-9050	RING, AXIS PIN, LEG		X				X		
9*	12976907	5310-01-408-9456	NUT, AXIS PIN, LEG		X				X		
10*	12976908	5310-01-408-9052	WASHER, AXIS PIN		X				X		
11*	12976902	1005-01-408-6678	HEAD, HINGE, BIPOD		X				X		
12*	12976897	1005-01-408-6011	PIN, AXIS, LEG, BIPOD		X				X		
13*	12976894	1005-01-408-6671	LEG, LEFT, ASSEMBLY		X				X		
14*	12976884	1005-01-408-6002	LEG, RIGHT, ASSEMBLY		X				X		
15	12976883	1005-01-408-5905	BIPOD ASSEMBLY		X				X		

**PARTS BREAKDOWN TABLE FOR FIGURE 14. BIPOD ASSEMBLY  
FOR CONFIGURATIONS 240B, 240G**

\* Not available for individual sale

**FIGURE 15. BIPOD ASSEMBLY  
FOR CONFIGURATION 240H**





Item Number	Part Number	NSN (EQUIVALENT)	Description	Configuration							
				240	240B	240C	240D	240E1	240G	240H	240N
1	13001481	1005-01-522-0759	BIPOD ASSEMBLY							X	
2	13001503	1005-01-522-0760	BIPOD CLAMP							X	
3	NAS1352-3LB8B	5305-01-522-8055	SOCKET CAP SCREW							X	

**PARTS BREAKDOWN TABLE FOR FIGURE 15. BIPOD ASSEMBLY  
FOR CONFIGURATION 240H**

**FIGURE 16. ACCESSORY KIT, P/N: M240-ACCKT  
FOR ALL CONFIGURATIONS**



Item Number	Part Number	Description	Quantity
1	12976938	VICKERS SLING WITH HOOKS	1
2	MA8-UTILITY POUCH	PARTS POUCH	1
3	M240-CLNKT	M240 CLEANING KIT	1
4	11826264	RUPTURED CARTRIDGE EXTRACTOR	1
5	11826059	COMBINATION SCRAPER TOOL	1
6	30-000853	CREW SERVED WEAPONS TOOL	1
NOTE 1	ONLY INCLUDED WITH M240B, M240G, AND M240N CONFIGURATIONS		

**PARTS BREAKDOWN TABLE FOR FIGURE 16. ACCESSORY KIT, P/N: M240-ACCKT**

**FIGURE 17. CLEANING KIT, P/N: M240-CLNKT  
FOR ALL CONFIGURATIONS**



Item Number	Part Number	Description	Quantity
1	ATK0003	CLEANING POUCH (COLOR MAY VARY)	1
2	961-6650	CLEANING RODS WITH HANDLE & PATCH LOOP	1
3	CLP4	BREAK-FREE LUBRICANT (CLP)	1
4	668-000-023	BRONZE AP BRUSH	1
5	965-6621	NYLON AP BRUSH	1
6	6D18A39	COTTON CLEANING PATCHES	16
7	1005-690-8441	.308 CHAMBER BRUSH	1
8	084-144-300AA	.30 BORE BRUSH	1
9	86-0134-0278	GAS TUBE BRUSH, BRONZE	1

**PARTS BREAKDOWN TABLE FOR FIGURE 17. CLEANING KIT, P/N: M240-CLNKT**

FIGURE 18. EGRESS KIT



Item Number	Part Number	Description	Quantity
1	12976883	BIPOD	1
2	12988986	BUFFER AND BUTTSTOCK ASSEMBLY	1
3*	12976869	TRIGGER HOUSING ASSEMBLY	1
4*	11301079	SELECT FIRE TRIGGER	1
5	12976938	VICKERS SLING WITH HOOKS	1
6	1005-01-M98-0425	EGRESS KIT	
NOTE 1	*ONLY NO. 3 OR NO. 4 COME IN KIT. KIT DOES NOT INCLUDE BOTH TRIGGERS.		

**ACCESSORY BREAKDOWN TABLE FOR FIGURE 18. EGRESS KIT**

**FIGURE 19. 240 HARD CASE WITH CUSTOM CUT FOAM  
FOR ALL CONFIGURATIONS**



**P/N: PM1095490-M240**

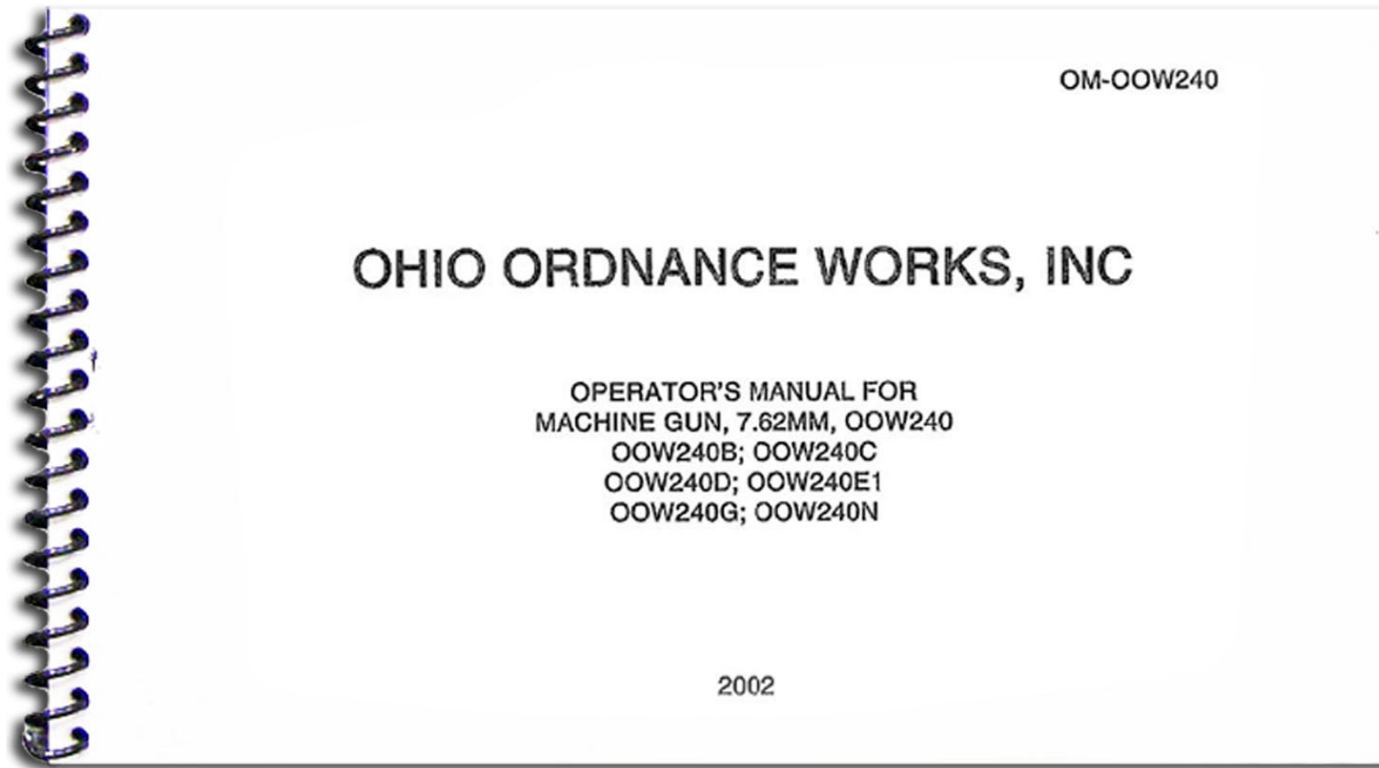


**FIGURE 20. 240 SHIPPING CRATE  
FOR ALL CONFIGURATIONS**



**P/N: 00W240CRATE**

**FIGURE 21. OPERATORS MANUAL  
FOR ALL CONFIGURATIONS**



OM-OOW240

**OHIO ORDNANCE WORKS, INC**

OPERATOR'S MANUAL FOR  
MACHINE GUN, 7.62MM, OOW240  
OOW240B; OOW240C  
OOW240D; OOW240E1  
OOW240G; OOW240N

2002

**P/N: OM-OOW240**

# Firearms Training and Instruction

Ohio Ordnance Works, Inc. (OOW) offers training services for both individuals and classroom sized groups. Training is available for any weapon system and features both Operator and Armorer Level courses.

Classes normally take two days of classroom instruction and one day at the range. Length of classes may vary depending on group size and type of instruction.

Some areas covered in the Operator Level Training include:

- Major Components
- Equipment Data
- Troubleshooting Procedures
- Field Stripping & Reassembly
- Cleaning
- Ammunition
- Front Sight Adjustment

Some areas covered in the Armorer Level Training include:

- Major Components
- Equipment Data
- Disassembly & Reassembly
- Inspection & Repair
- Function Testing
- Cleaning
- Stoppage
- Testing
- Using the Tech Manual

Call for quote and to schedule your training.



# Part Number Reference

Part Number	Description	Figure No.
590479	PIN, COTTER	1
700005	CHARGING HANDLE DETENT	1
5009369	TUBE, HANDLE GRIP PLATE ASSEMBLY	8
5009394	SCREW, MACHINE	8
5152854	PIN, STRAIGHT, HEADED	8
6008937	FRAME, HANDLE, UPPER	8
7265561	GRIP, MACHINE GUN HANDLE	8
7312517	PIN, LOCK	8
11301079	SELECT FIRE TRIGGER	18
11825985	BARREL ASSEMBLY (240, 240C)	13
11825986	BARREL MACHINE GUN	13
11825992	COLLAR, GAS REGULATOR	11, 12, 13
11825997	BARREL RELEASE	12, 13
11825999	LATCH BARREL	12, 13
11826001	BARREL ADAPTER, MACHINE	11, 12, 13
11826002	FLASH HIDER	12, 13
11826003	PLUG, GAS REG, (3 POSITION)	12, 13
11826006	FEED TRAY	1
11826017	FEED PAWL, RIGHT HAND	4
11826018	PIN, PAWL RETAINING	4
11826020	FEED TRAY RH	1
11826022	COVER, FRAME, RIGHT HAND	4
11826023	CARTRIDGE GUIDE, RIGHT HAND	4
11826024	DRIVING SPRING ROD ASSEMBLY	1
11826035	REAR CARTRIDGE GUIDE, RIGHT HAND	4
11826038	COVER, ASSEMBLY, RIGHT HAND (240C)	4
11826039	LEVER, FEED, RIGHT HAND	4
11826040	BOLT, BREECH BODY ASSEMBLY	2
11826042	ROLLER, LINEAR ROTARY	2

Part Number	Description	Figure No.
11826046	SPRING, HELICAL, COMPRESSION	2
11826047	PIN, BOLT ROLLER RETAINING	2
11826054	SPRING PIN	2
11826057	BOLT ASSEMBLY	2
11826059	COMBINATION SCRAPER TOOL	16
11826060	EXTRACTOR, CARTRIDGE	2
11826061	PLUNGER, EXTRACTOR	2
11826062	SPRING ASSEMBLY	2
11826065	FIRING PIN	2
11826067	EJECTOR, CARTRIDGE	2
11826069	SPRING, HELICAL	2
11826080	RECEIVER BODY ASSEMBLY	1
11826122	ACCESS COVER	1
11826130	PIN, GROOVED, HEADED	1
11826131	SPRING, BARREL LOCK. LATCH EXT.	1
11826135	SLIDE, CHARGER	1
11826137	HEADED STRAIGHT PIN	1
11826145	CABLE CHARGER	1
11826152	BUFFER HOUSING AND PLUG ASSEMBLY	7
11826153	PLATE, SPRING	1
11826155	SPRING, HELICAL	1
11826156	DETENT PLUNGER	1
11826158	SPRING, TOP COVER DETENT	1
11826160	PIN, SPRING	1
11826177	FEED PAWL, LEFT HAND	3
11826200	RETAINING RING	3, 4
11826201	HELICAL SPRING	3, 4
11826202	LOCK PIN	3, 4
11826203	RETAINING CLIP	3, 4

Part Number	Description	Figure No.
11826204	RETAINING CLIP	3, 4
11826205	PAWL RETAINING PIN	3
11826206	COVER LATCH	3, 4
11826207	CARTRIDGE GUIDE, LEFT HAND	3
11826208	CARTRIDGE GUIDE	3
11826209	FEED LEVER	3
11826211	BUFFER ASSEMBLY (240, 240C)	7
11826213	BACK PLATE LATCH	7, 8
11826214	SPRING, BACK PLATE LATCH	7, 8, 9, 10
11826215	DETENT PLUNGER	7, 8, 9, 10
11826216	HEADED STRAIGHT PIN	7, 9, 10
11826218	PLUG, BUFFER	7, 8, 10
11826219	CONE, BUFFER, BRAKING	7, 8, 10
11826220	EXPANSION RING	7, 8, 10
11826221	SPRING WASHER ASSEMBLY	7, 8, 10
11826222	SPACER SLEEVE	7, 8, 10
11826231	HOUSING, TRIGGER	6
11826234	GUIDE, CHARGING CABLE	6
11826240	TRIGGER	6
11826250	PIN, STRAIGHT	5
11826254	SPRING, HELICAL	5
11826255	PIN, STRAIGHT	5
11826258	SAFETY, SMALL ARMS	5
11826264	RUPTURED CARTRIDGE EXTRACTOR	16
11826277	PIN, SPRING	1
12597035	BARREL ASSEMBLY (240E1)	12
12597036	BARREL, MACHINE GUN	11, 12
12597038	SIGHT ASSEMBLY, FRONT	11, 12
12597043	SCREW, SELF-LOCKING FRONT SIGHT	11, 12
12597046	REAR SIGHT ASSEMBLY	1
12597054	SPRING, REAR SIGHT DETENT	1
12597055	REAR SIGHT PLUNGER	1
12597056	HEADLESS STRAIGHT PIN	1
12597057	BUFFER ASSEMBLY (240D, 240E1, 240H)	8

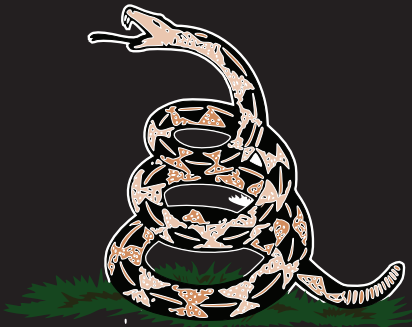
Part Number	Description	Figure No.
12597058	BUFFER, HOUSING AND PLUG ASSEMBLY	8
12597062	BACK PLATE LATCH	8
12597069	HELICAL TORSION ARM SPRING	8
12597071	ACTUATING ASSEMBLY	6
12976819	CARRYING HANDLE ASSEMBLY	11
12976827	SPRING, CATCH, BARREL	11
12976828	CATCH BRACKET, BARREL	11
12976830	FLASH HIDER	11
12976831	HEAT SHIELD ASSEMBLY	11
12976843	EJECTION PORT COVER	1
12976844	HELICAL TORSION SPRING	1
12976845	PLUNGER CATCH	1
12976846	HINGE PIN	1
12976847	SLING RING	1
12976848	BIPOD LATCH	1
12976849	BODY LATCH SPRING	1
12976850	PIN, BIPOD LATCH	1
12976851	BUTTSTOCK/BUFFER ASSEMBLY	10
12976852	BUTTSTOCK ASSEMBLY	9, 10
12976859	BUFFER BLOCK	10
12976861	BUFFER CATCH	9, 10
12976862	BUTT SCREW	10
12976863	BUTTPLATE	9, 10
12976864	BUTTPLATE SCREW	9, 10
12976866	BOLT AND OP ROD ASSEMBLY	2
12976867	ROD ASSEMBLY, OPERATING	2
12976869	TRIGGER HOUSING ASSEMBLY (240B, 240G, 240N)	5, 18
12976870	TRIGGER ASSEMBLY	5
12976874	PIN, HEADED, TRIGGER GUARD	5
12976875	GUARD, TRIGGER	5
12976876	FRAME, TRIGGER	5
12976877	GRIP ASSEMBLY, RIGHT	5
12976880	SCREW, GRIP	5
12976881	GRIP, LEFT	5

Part Number	Description	Figure No.
12976882	SEAR	5
12976883	BIPOD (240B, 240G)	18
12976884	LEG, RIGHT, ASSEMBLY	14
12976894	LEG, LEFT, ASSEMBLY	14
12976897	PIN, AXIS, LEG, BIPOD	14
12976898	BUSHING, RETAINING HEAD	14
12976899	SPRING, HELICAL COMPRESSION	14
12976900	HEAD, BIPOD	14
12976901	PLUNGER, RETAINING, BIPOD	14
12976902	HEAD, HINGE, BIPOD	14
12976903	CYLINDER, ACTUATING	14
12976904	PIN, SPRING, TUBULAR, SLOTTED	14
12976905	SPRING, LEG	14
12976906	RING, AXIS PIN, LEG	14
12976907	NUT, AXIS PIN, LEG	14
12976908	WASHER, AXIS PIN	14
12976938	VICKERS SLING WITH HOOKS	16, 18
12977101	COVER ASSEMBLY (240, 240B, 240D, 240E1, 240G, 240H, 240N)	3
12977102	OPTICAL SIGHT COVER	3
12977106	HANDLE, OFFSET CHARGING	1
12977107	PIN, CHARGING HANDLE	1
12988984	HYDRAULIC BUFFER ASSEMBLY	9
12988985	BUTT SCREW	9
12988986	BUFFER AND BUTTSTOCK ASSEMBLY	9, 18
12997500	BARREL LATCH ASSEMBLY	1
12997576	ACCESSORY RAIL ASSEMBLY	1
12999957	HANDLE, OFFSET CHARGING	1
13001481	BIPOD ASSEMBLY (240H)	15
13001503	BIPOD CLAMP	15

Part Number	Description	Figure No.
13001601	PLUG, GAS REG, SINGLE PORT	11
13008368	TRIGGER HOUSING ASSEMBLY (240, 240C, 240D, 240E1, 240H)	6
13008850	BARREL ASSEMBLY (240B, 240D, 240G, 240H, 240N)	11
13011320	TRIGGER, SPADE, ACTUATING	8
13011321	PIN, PIVOT, SPADE TRIGGER	8
13016091	FLASH HIDER	11
084-144-300AA	.30 BORE BRUSH	17
1005-01-M98-0425	EGRESS KIT	18
1005-690-8441	.308 CHAMBER BRUSH	17
11826068-1	SPRING PIN	2
11826068-2	PIN, TOP COVER DETENT	1
11826068-3	PIN, EJECTOR RETAINING	2
11826232-1	GRIP, MACHINE GUN, LEFT	6
11826232-2	GRIP, MACHINE GUN, RIGHT	6
12597045-1	SPRING, CHARGING HANDLE DETENT	1
30-000853	CREW SERVED WEAPONS TOOL	16
668-000-023	BRONZE AP BRUSH	17
6D18A39	COTTON CLEANING PATCHES	17
86-0134-0278	GAS TUBE BRUSH, BRONZE	17
92373A106	PIN, CHARGING HANDLE DETENT	1
93013A3201	BUSHING BUFFER BLOCK	10
93013A3204	RETAINING TAB WASHER	10
961-6650	CLEANING RODS WITH HANDLE & PATCH LOOP	17
965-6621	NYLON AP BRUSH	17
ATK0003	CLEANING POUCH (COLOR MAY VARY)	17
CLP4	BREAK-FREE LUBRICANT (CLP)	17
M240-ACCKT	240 ACCESSORY KIT	16
M240-CLNKT	240 CLEANING KIT	16
MA8-UTILITY POUCH	PARTS POUCH	16

Part Number	Description	Figure No.
MS15795-814B	FLAT WASHER	6
MS16562-106	PIN, BOLT CATCH	1
MS16562-122	SPRING PIN	12, 13
MS171475	PIN, BUTTSTOCK BUFFER HOUSING	7, 8
MS21083C6	SELF LOCKING NUT	6
MS24665-437	PIN, COTTER	1
MS3215-4025	RING, RETAINING, EXTERNAL	8
MS39086-147	SPRING PIN	7
MS39086-205	PIN, SLING RING	1
MS39086-406	SPRING PIN	1
MS9286-24	MACHINE BOLT	6
NAS1352-3LB8B	SOCKET CAP SCREW	15
OM-OOW240	240 OPERATORS MANUAL	21
OOW240CRATE	240 SHIPPING CRATE	20
PM1095490-M240	240 HARD CASE WITH CUSTOM CUT FOAM	19

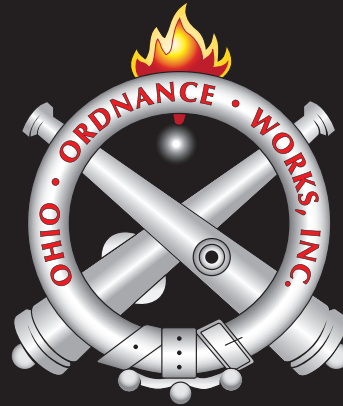




**DONT TREAD ON ME**

NOTABLE CUSTOMERS INCLUDE:

THE UNITED STATES DEPARTMENT OF STATE  
THE DEPARTMENT OF HOMELAND SECURITY  
THE UNITED STATES DEPARTMENT OF ENERGY  
THE UNITED STATES ARMY  
THE UNITED STATES MARINE CORPS  
THE UNITED STATES NAVY  
THE UNITED STATES AIR FORCE  
BRITISH AERO-SPACE  
WEAPON SIMULATION COMPANIES  
PRIVATE SECURITY COMPANIES  
TACTICAL TRAINING COMPANIES  
VARIOUS U.S. DEPARTMENT OF STATE/  
NATO APPROVED FOREIGN COUNTRIES



**Manufacturer of Destructive Devices**  
**Importer of Destructive Devices**  
**Manufacturer and Exporter with the U.S. Department of State**  
**Broker with the U.S. Department of State**  
**Importer of U.S. Munitions Import List Articles**  
**Cage Code: 1V2A7**



**Ohio Ordnance Works, Inc.**  
**PO Box 687, Chardon, Ohio 44024**

**phone: 440-285-3481**

**fax: 440-286-8571**

**business hours: monday thru friday, 8am to 5pm**

**sales inquiries: [sales@oowinc.com](mailto:sales@oowinc.com)**

**general: [oow@ohioordnanceworks.com](mailto:oow@ohioordnanceworks.com)**

**web: [www.ohioordnanceworks.com](http://www.ohioordnanceworks.com)**

**Source Code: PCOW240**