



Parts Catalog

MACHINE GUN, ASSEMBLY OOW249, OOW249 (PARA)

SEPT 2016
PCOOW249

phone: 440.285.3481 • fax: 440.286.8571 • web: ohioordnanceworks.com

OOW249 Configurations



OOW 249
SKU: 9348200



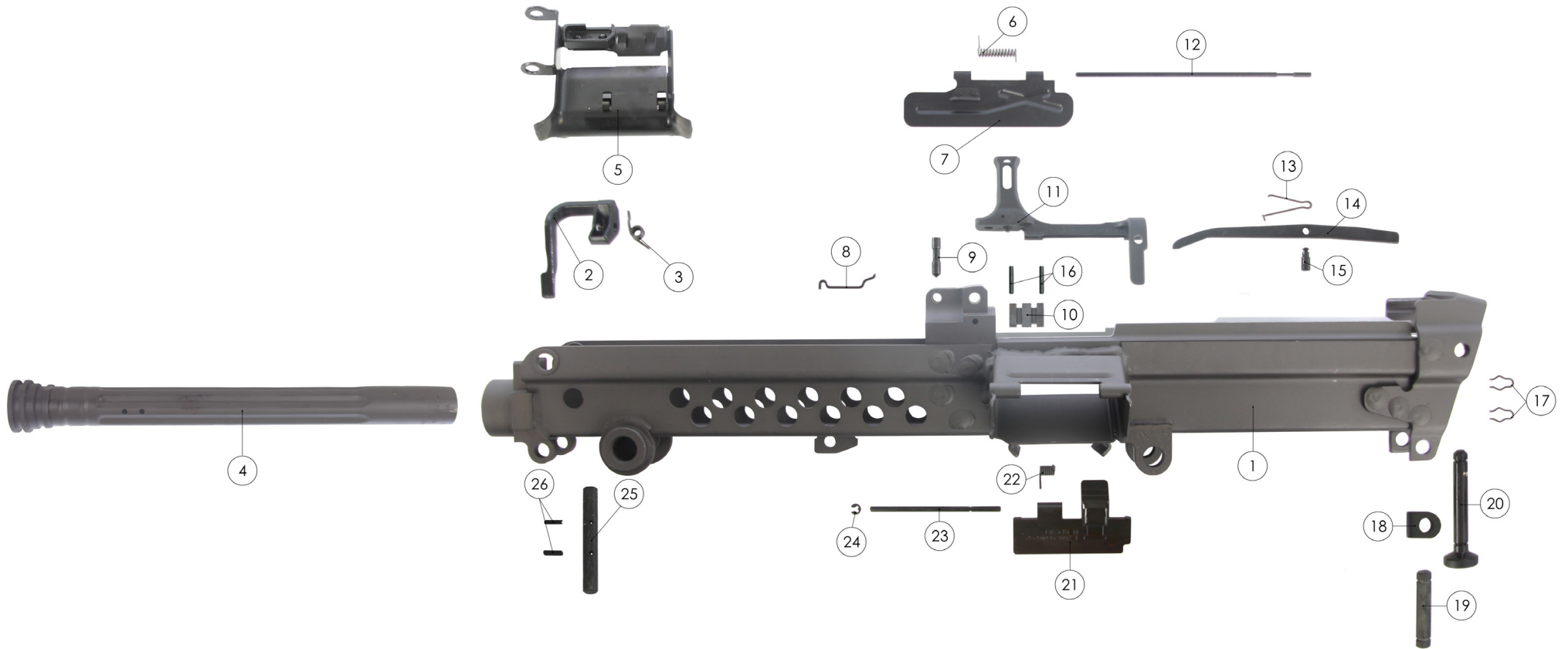
OOW 249 Para
SKU: 9348200-1

Table of Contents

Receiver Assembly.....	3
Parts breakdown for Receiver Assembly.....	4
Topcover Assembly.....	5
Parts breakdown for Topcover Assembly.....	6
Barrel Assembly.....	7
Parts breakdown for Barrel Assembly.....	8
Barrel Assembly.....	9
Parts breakdown for Barrel Assembly.....	10
Trigger Mechanism Assembly.....	11
Parts breakdown for Trigger Mechanism Assembly.....	12
Internals.....	13
Parts breakdown for Internals.....	14
Accessory Rail Assembly.....	15
Parts breakdown for Accessory Rail Assembly.....	16
Hand Guard Assembly.....	17
Parts breakdown for Hand Guard Assembly.....	18
Buttstock/Buffer Assembly.....	19
Parts breakdown for Buttstock/Buffer Assembly.....	20
Buttstock Assembly.....	21
Parts breakdown for Buttstock Assembly.....	22
Machine Gun Bipod.....	23
Parts breakdown for Machine Gun Bipod.....	24
Machine Gun Bipod.....	25
Parts breakdown for Machine Gun Bipod.....	26
Accessory Kit.....	27
Parts breakdown for Accessory Kit.....	28
Hard Case with Custom Cut Foam.....	29
Shipping Crate.....	30
Technical Manual.....	31
Firearms Training and Instruction.....	32
Part Number Reference.....	33



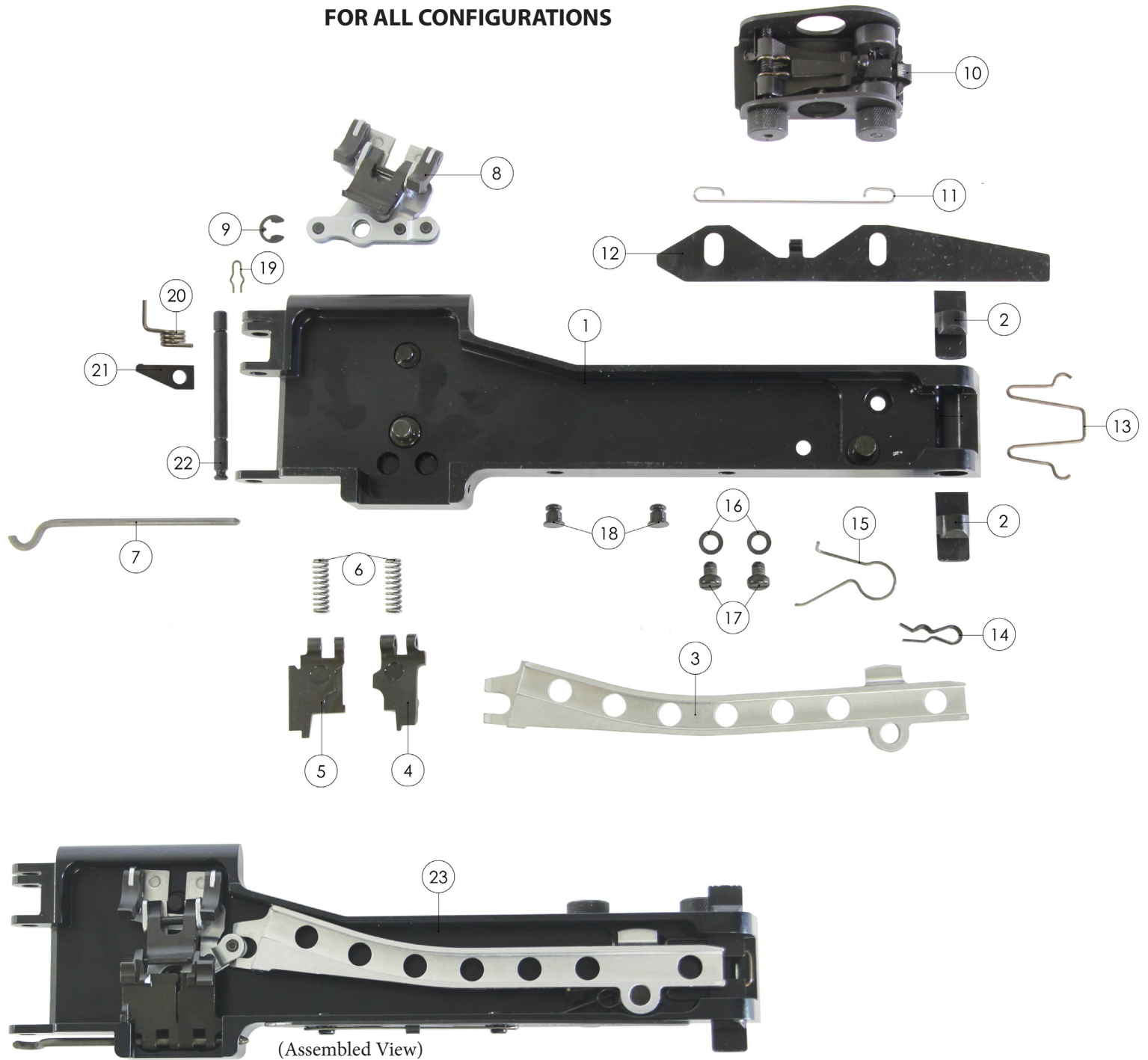
**FIGURE 1. RECEIVER ASSEMBLY
FOR ALL CONFIGURATIONS**



Item Number	Part Number	NSN (EQUIVALENT)	Description	Configuration	
				249	249 Para
1	9348202		RECEIVER SUBASSEMBLY	X	X
2	9348220	1005-01-130-2128	LEVER, BARREL LOCKING	X	X
3	9348221	5360-01-128-5640	SPRING, HELICAL, TORSION	X	X
4	9348345	1005-01-128-5492	GAS TUBE	X	X
5	13013736	1005-01-547-2616	FEED TRAY ASSEMBLY (NEW STYLE)	X	X
6	9348231	5360-01-128-5641	SPRING, HELICAL, TORSION	X	X
7	9350067	1005-01-236-0238	COVER, EJECTION PORT OPENING	X	X
8	9348216	5360-01-128-5493	SPRING, RETAINING	X	X
9	9348222	5315-01-128-5612	PIN, GROOVED, HEADLESS	X	X
10	12556980	5340-01-324-9189	STOP, MECHANICAL	X	X
11	13013732	1005-01-547-2610	COCKING HANDLE ASSY LIGHT WEIGHT	X	X
12	9348230	5315-01-128-5613	PIN, GROOVED, HEADLESS	X	X
13	9348225	5340-01-128-5605	CLIP, RETAINING	X	X
14	9348223	1005-01-128-5721	EJECTOR, CARTRIDGE	X	X
15	9348224	5315-01-128-5494	PIN, EJECTOR	X	X
16	MS39086-93	5315-00-690-0544	PIN, SPRING	X	X
17	9348245	5340-01-128-5607	CLIP, RETAINING	X	X
18	9348219	5340-01-128-5608	CLIP, RETAINING	X	X
19	9348246	5315-01-128-5601	PIN, GROOVED	X	X
20	12540401	5315-01-379-6196	BUTTSTOCK PIN	X	X
21	9348232	1005-01-128-5497	COVER, MAGAZINE	X	X
22	9348233	5360-01-128-5643	SPRING, HELICAL, TORSION	X	X
23	9348234	5315-01-128-5614	PIN, GROOVED, HEADLESS	X	X
24	9348235	5340-01-128-5606	CLIP, RETAINING	X	X
25	9348217	5315-01-131-2058	PIN, RETAINING FRONT	X	X
26	9348218	5315-01-131-2060	PIN, SPRING	X	X

PARTS BREAKDOWN TABLE FOR FIGURE 1. RECEIVER ASSEMBLY FOR ALL CONFIGURATIONS

**FIGURE 2. TOPCOVER ASSEMBLY
FOR ALL CONFIGURATIONS**

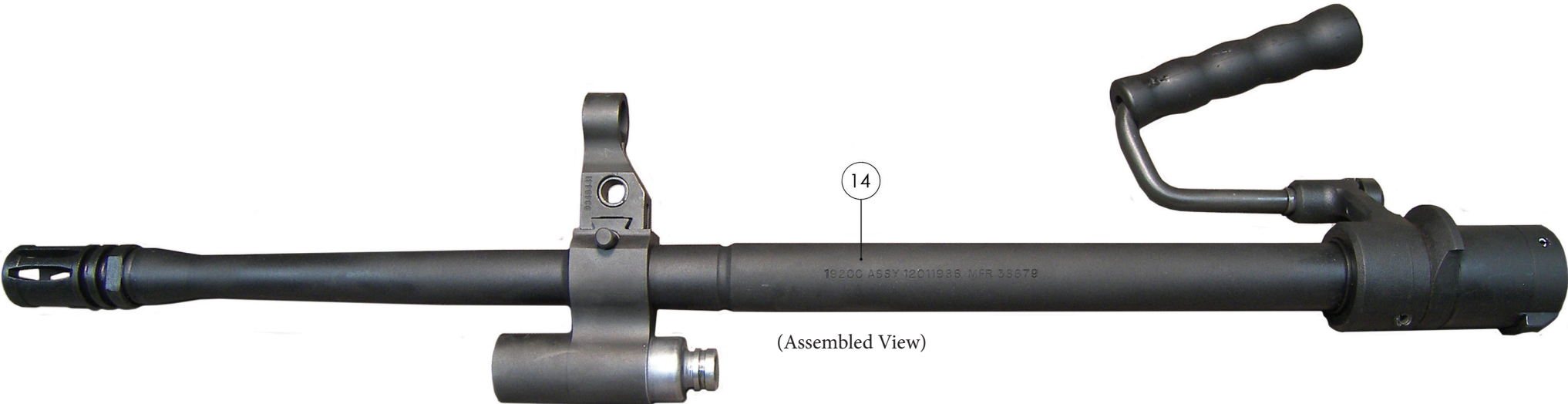
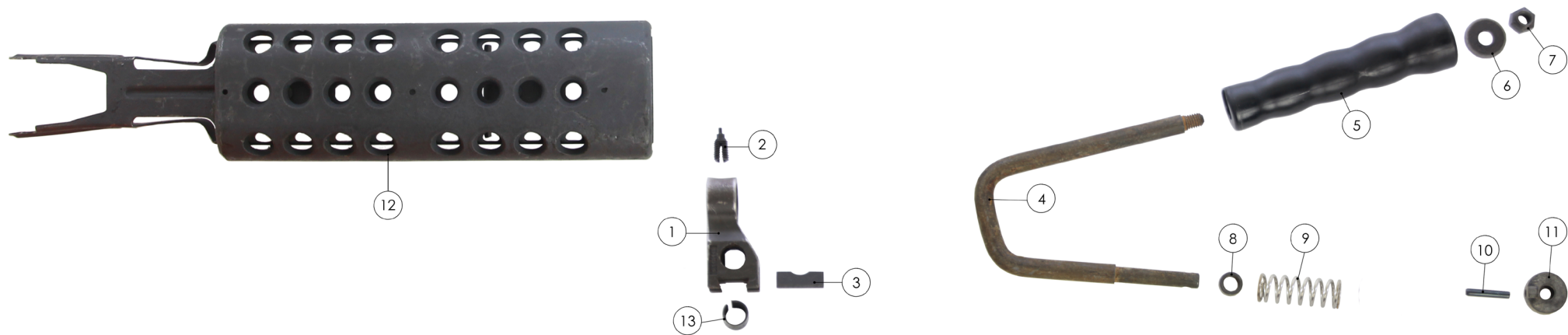


(Assembled View)

Item Number	Part Number	NSN (EQUIVALENT)	Description	Configuration	
				249	249 Para
1	12556986	1005-01-463-1008	COVER ASSEMBLY	X	X
2	9348305	1005-01-128-5482	LATCH, COVER	X	X
3	13015462	1005-01-547-2615	LEVER, FEED	X	X
4	9348295	1005-01-128-5476	PAWL, CARTRIDGE, RETAINING, REAR	X	X
5	9348294	1005-01-128-5475	PAWL, CARTRIDGE, RETAINING, FRONT	X	X
6	9348296	5360-01-128-5636	SPRING, HELICAL, COMPRESSION	X	X
7	9348298	5315-01-128-5617	PIN, RETAINING	X	X
8	9348278	1005-01-128-5477	FEED PAWL ASSEMBLY	X	X
9	9348291	5365-01-134-6818	RING, RETAINING	X	X
10	12556988	1005-01-461-0328	SIGHT, REAR, ASSEMBLY	X	X
11	9348304	5360-01-128-5481	SPRING, RETAINING	X	X
12	9348302	1005-01-128-5480	COVER, COCKING CHANNEL	X	X
13	9348306	5340-01-128-5604	CLIP, RETAINING	X	X
14	11826202	5315-01-033-8872	LOCK PIN	X	X
15	9348300	5360-01-128-5474	SPRING, RETAINING	X	X
16	9350022	5310-01-131-2084	WASHER, FLAT	X	X
17	9350023	5305-01-132-0439	SCREW, MACHINE	X	X
18	9348303	5315-01-128-5618	PIN, RETAINING	X	X
19	9348314	5340-01-128-5602	CLIP, RETAINING	X	X
20	12556983	5360-01-463-1009	SPRING, HELICAL TORSION	X	X
21	12556984	3040-21-907-6341	CATCH, COVER	X	X
22	9348312	5315-01-129-3050	PIN, SHOULDER, HEADLESS	X	X
23	12556985		COVER AND FEED MECHANISM ASSEMBLY	X	X

PARTS BREAKDOWN TABLE FOR FIGURE 2. TOPCOVER ASSEMBLY FOR ALL CONFIGURATIONS

**FIGURE 3. BARREL ASSEMBLY
FOR STANDARD CONFIGURATIONS**

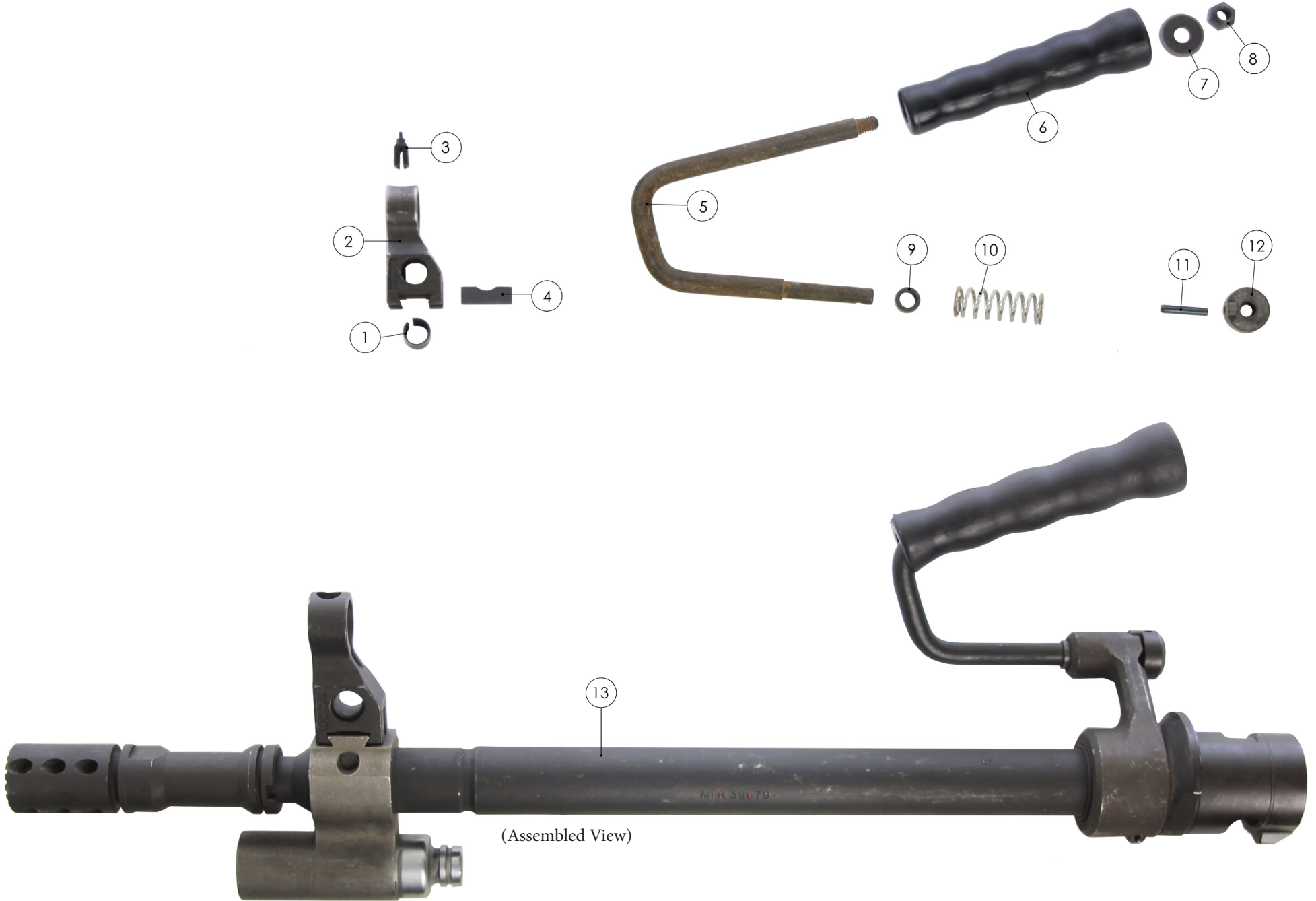


(Assembled View)

Item Number	Part Number	NSN (EQUIVALENT)	Description	Configuration	
				249	249 Para
1	9348441	1005-01-128-5466	BASE, FRONT SIGHT	X	
2	9348442	1005-01-128-5465	POST, FRONT SIGHT	X	
3	9350047	1005-01-211-8368	KEY, BASE	X	
4	12557008	5340-01-301-8218	HANDLE, BOW	X	
5	9348438	1005-01-135-4765	GRIP, CARRYING HANDLE	X	
6	9348439	5310-01-128-5676	WASHER, SPRING TENSION	X	
7	9348440	5310-01-128-5651	NUT, SELF LOCKING, HEXAGON	X	
8	12557009	3120-01-299-4159	BUSHING, SLEEVE	X	
9	MS24585-C279	5360-00-078-0122	SPRING, CARRYING HANDLE	X	
10	12557012	5315-01-299-4164	PIN, CARRYING HANDLE RING	X	
11	12557020	1005-01-299-4657	RING, CARRYING HANDLE	X	
12	12540405	1005-01-249-0184	HEATSHIELD ASSEMBLY	X	
13	9350048	5315-01-211-8392	PIN, SPRING	X	
14	12011986	1005-01-470-5046	LONG BARREL ASSEMBLY, MONO BLACK	X	

PARTS BREAKDOWN TABLE FOR FIGURE 3. BARREL ASSEMBLY FOR STANDARD CONFIGURATIONS

**FIGURE 4. BARREL ASSEMBLY
FOR ALL CONFIGURATIONS**



(Assembled View)

Item Number	Part Number	NSN (EQUIVALENT)	Description	Configuration	
				249	249 Para
1	9350048	5315-01-211-8392	PIN, SPRING		X
2	9348441	1005-01-128-5466	BASE, FRONT SIGHT		X
3	9348442	1005-01-128-5465	POST, FRONT SIGHT		X
4	9350047	1005-01-211-8368	KEY, BASE		X
5	12557008	5340-01-301-8218	HANDLE, BOW		X
6	9348438	1005-01-135-4765	GRIP, CARRYING HANDLE		X
7	9348439	5310-01-128-5676	WASHER, SPRING TENSION		X
8	9348440	5310-01-128-5651	NUT, SELF LOCKING, HEXAGON		X
9	12557009	3120-01-299-4159	BUSHING, SLEEVE		X
10	MS24585-C279	5360-00-078-0122	SPRING, CARRYING HANDLE		X
11	12557012	5315-01-299-4164	PIN, CARRYING HANDLE RING		X
12	12557020	1005-01-299-4657	RING, CARRYING HANDLE		X
13	12556953	1005-01-475-4296	BARREL ASSEMBLY SHORT		X

PARTS BREAKDOWN TABLE FOR FIGURE 4. BARREL ASSEMBLY FOR STANDARD CONFIGURATIONS

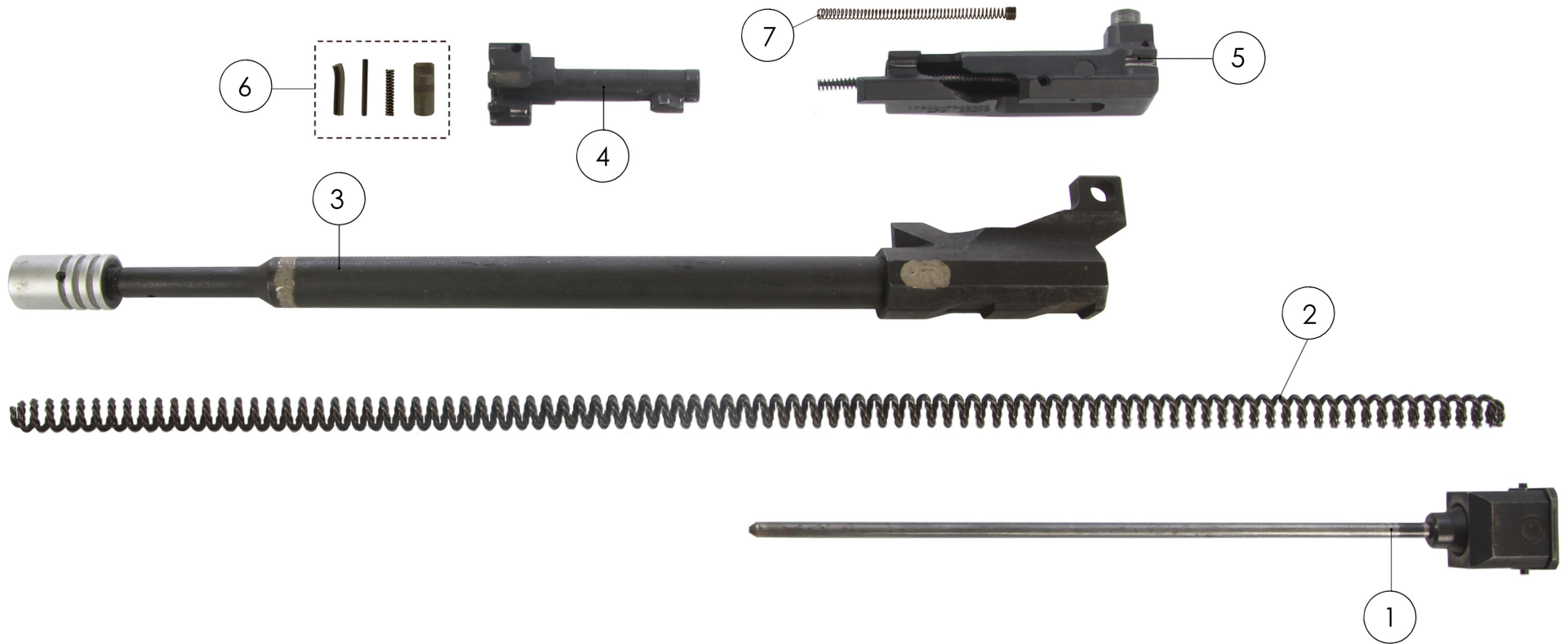
**FIGURE 5. TRIGGER MECHANISM ASSEMBLY
FOR ALL CONFIGURATIONS**



Item Number	Part Number	NSN (EQUIVALENT)	Description	Configuration	
				249	249 Para
1	9348352	1005-01-128-5489	FRAME, TRIGGER	X	X
2	9350025		PISTOL, GRIP ASSEMBLY	X	X
3	9348370	1005-01-128-5712	GUARD, TRIGGER	X	X
4	9348354	1005-01-128-5491	TRIGGER ASSEMBLY	X	X
5	9348353	5315-01-135-4801	PIN, SPRING	X	X
6	9348364	1005-01-128-5714	SAFETY, SMALL ARMS	X	X
7	11826255	5315-01-033-3890	PIN, STRAIGHT	X	X
8	9348365	5360-01-128-5490	SPRING, RETAINING	X	X
9	9348368	1005-01-128-5710	SEAR	X	X
10	12540414	5360-01-128-5639	TRIGGER SPRING	X	X
11	9348367	5315-01-128-5610	PIN, GROOVED, HEADLESS	X	X
12	9348363	5315-01-128-5621	PIN, SPRING	X	X
13	9348372	5306-01-128-5597	BOLT, MACHINE	X	X
14	9348350		TRIGGER, MECHANISM ASSEMBLY	X	X

PARTS BREAKDOWN TABLE FOR FIGURE 5. TRIGGER MECHANISM ASSEMBLY FOR ALL CONFIGURATIONS

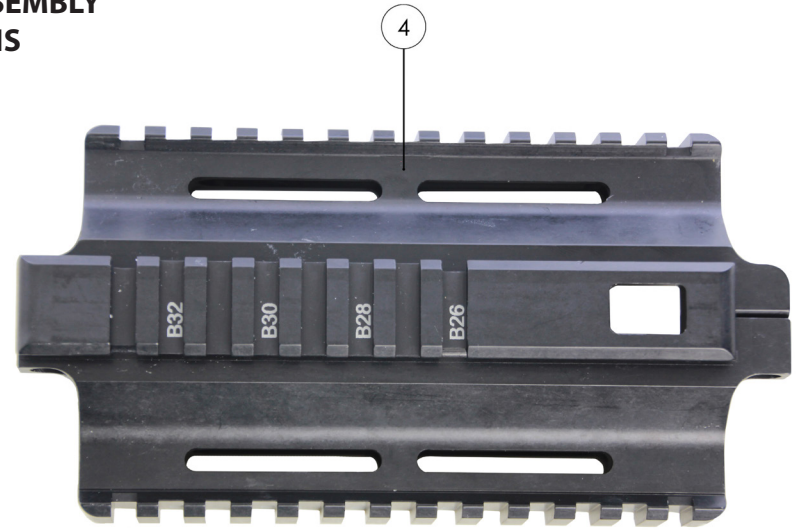
**FIGURE 6. INTERNALS
FOR ALL CONFIGURATIONS**



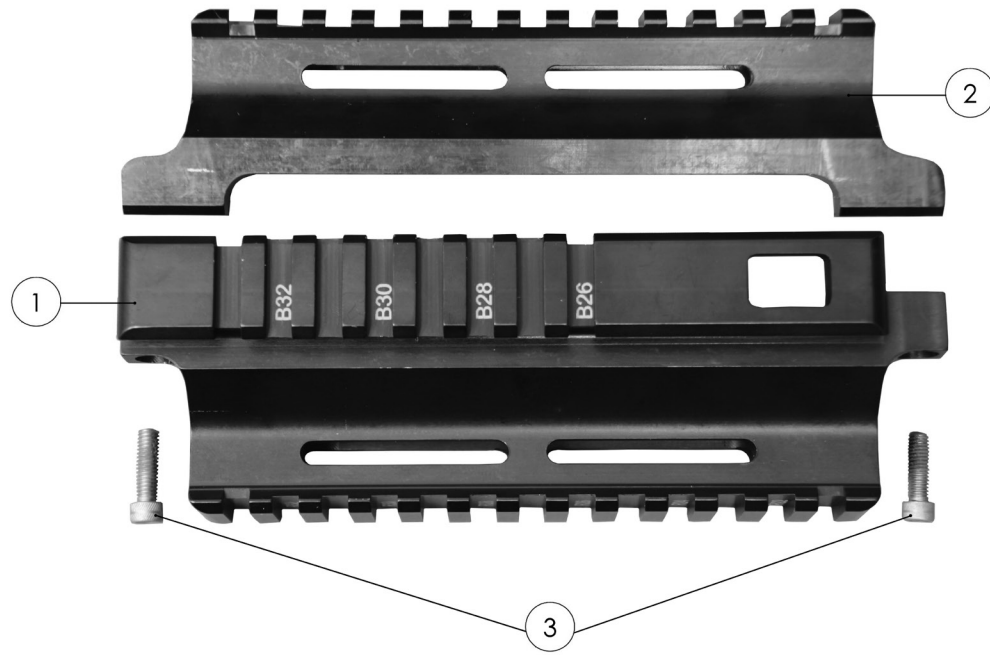
Item Number	Part Number	NSN (EQUIVALENT)	Description	Configuration	
				249	249 Para
1	12540416	1005-01-254-9801	ROD, RETURN AND TRANSFER ASSEMBLY	X	X
2	9348452	5360-01-128-5632	SPRING, HELICAL, COMPRESSION	X	X
3	9348405	1005-01-134-6737	PISTON, GUN GAS CYLINDER	X	X
4	9348412		BOLT ASSEMBLY	X	X
5	9348391		SLIDE ASSEMBLY	X	X
6	12557025	1005-01-383-0168	249 EXTRACTOR KIT	X	X
7	9350090	5360-01-236-0285	SPRING, HELICAL, COMPRESSION	X	X

PARTS BREAKDOWN TABLE FOR FIGURE 6. INTERNALS FOR ALL CONFIGURATIONS

**FIGURE 7. ACCESSORY RAIL ASSEMBLY
FOR ALL CONFIGURATIONS**



(Assembled View)



Item Number	Part Number	NSN (EQUIVALENT)	Description	Configuration	
				249	249 Para
1	12993773		ACCESSORY RAIL, RIGHT	X	X
2	12993772		ACCESSORY RAIL, LEFT	X	X
3	NAS1352-08-10P		SOCKET HEAD CAP SCREW	X	X
4	12993771		ACCESSORY RAIL ASSEMBLY	X	X
5	13008484		FORWARD PISTOL GRIP ASSEMBLY	X	X

PARTS BREAKDOWN TABLE FOR FIGURE 7. ACCESSORY RAIL ASSEMBLY FOR ALL CONFIGURATIONS

**FIGURE 8. HAND GUARD ASSEMBLY
FOR ALL CONFIGURATIONS**

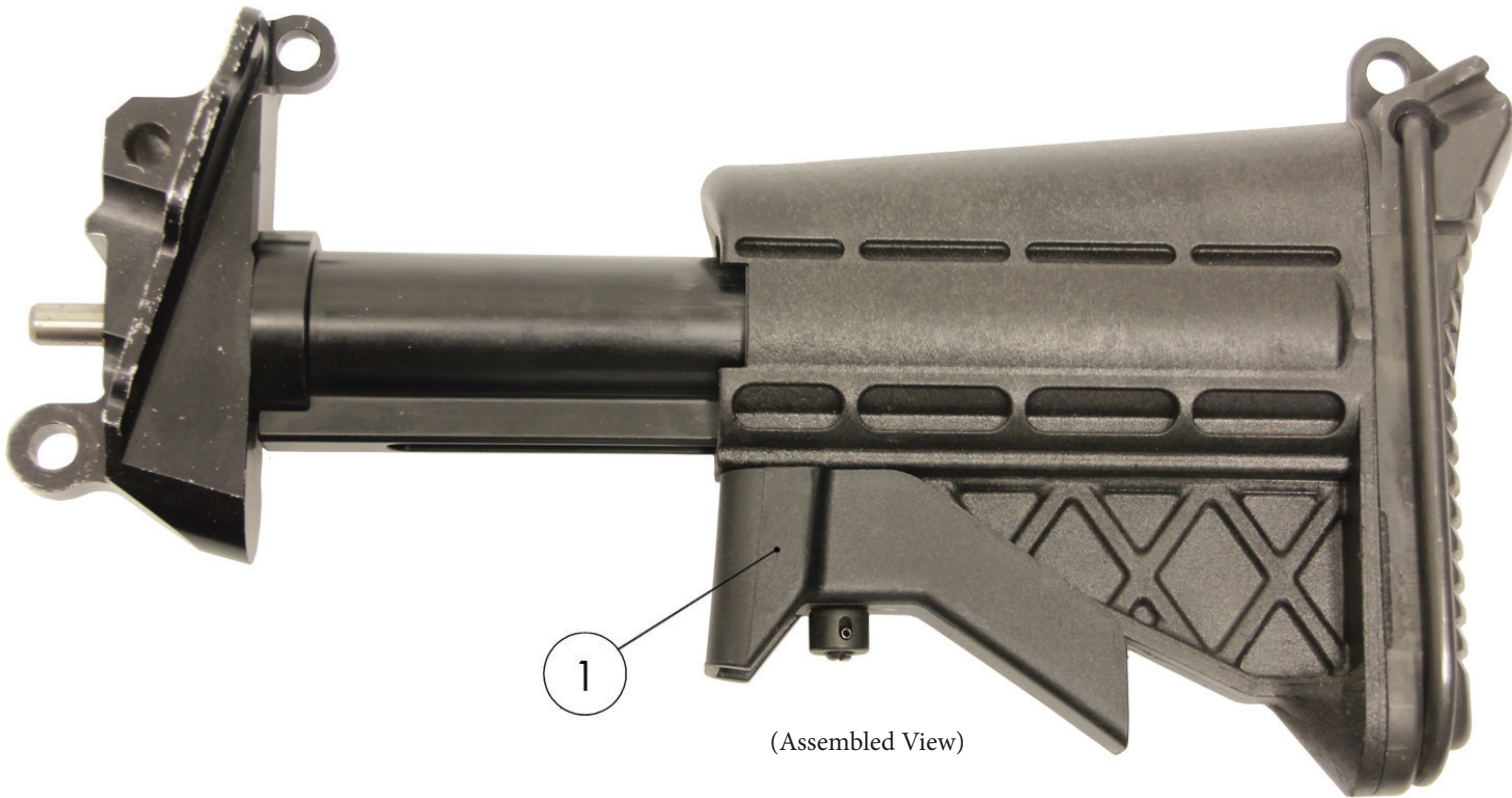


(Assembled View)

Item Number	Part Number	NSN (EQUIVALENT)	Description	Configuration	
				249	249 Para
1	12556973	1005-01-324-9191	GUARD, HAND, GUN ASSEMBLY		

PARTS BREAKDOWN TABLE FOR FIGURE 8. HAND GUARD ASSEMBLY FOR ALL CONFIGURATIONS

**FIGURE 9. BUTTSTOCK/BUFFER ASSEMBLY
FOR ALL CONFIGURATIONS**



Item Number	Part Number	NSN (EQUIVALENT)	Description	Configuration	
				249	249 Para
1	13006209		STOCK, SHOULDER, M4 STYLE		

PARTS BREAKDOWN TABLE FOR FIGURE 9. BUTTSTOCK/BUFFER ASSEMBLY FOR ALL CONFIGURATIONS

**FIGURE 10. BUTTSTOCK ASSEMBLY
FOR ALL CONFIGURATIONS**



(Assembled View)

Item Number	Part Number	NSN (EQUIVALENT)	Description	Configuration	
				249	249 Para
1	12556951	1005-01-306-2700	BUFFER AND BACKPLATE ASSEMBLY	X	
2	12556939	1005-01-278-6898	STOCK, GUN, SHOULDER	X	
3	12556938	5305-01-280-9759	SCREW, SHOULDER	X	
4	12556940	1005-01-274-6345	PLATE, BUTT, SHOULDER	X	
5	12556936	5305-01-452-9638	SCREW, SLOTTED	X	
6	12556941	1005-01-274-5102	REST, SHOULDER	X	
7	12556935		BUTTSTOCK/BUFFER ASSEMBLY	X	

PARTS BREAKDOWN TABLE FOR FIGURE 10. BUTTSTOCK ASSEMBLY FOR ALL CONFIGURATIONS

**FIGURE 11. MACHINE GUN BIPOD
FOR ALL CONFIGURATIONS**



Item Number	Part Number	NSN (EQUIVALENT)	Description	Configuration	
				249	249 Para
1	13002190		BIPOD ASSEMBLY, IMPROVED		X

PARTS BREAKDOWN TABLE FOR FIGURE 11. MACHINE GUN BIPOD FOR ALL CONFIGURATIONS

**FIGURE 12. MACHINE GUN BIPOD
FOR ALL CONFIGURATIONS**



(Assembled View)

Item Number	Part Number	NSN (EQUIVALENT)	Description	Configuration	
				249	249 Para
1	9348320		BIPOD, MACHINE GUN	X	

PARTS BREAKDOWN TABLE FOR FIGURE 12. MACHINE GUN BIPOD FOR ALL CONFIGURATIONS

FIGURE 13. ACCESSORY KIT, P/N: M249-ACCKT



Item Number	Part Number	Description	Quantity
1	M249-CLNKT	M249 CLEANING KIT	1
2	30-000853	CREW SERVED WEAPONS TOOL	1
3	13000150	249 SLING WITH HOOKS	1
4	9350033	WRENCH, SPANNER FRONT SIGHT	

PARTS BREAKDOWN TABLE FOR FIGURE 13. ACCESSORY KIT, P/N: M249-ACCKT

**FIGURE 14. 249 HARD CASE WITH CUSTOM CUT FOAM
FOR ALL CONFIGURATIONS**



P/N: PM1094490-M249

**FIGURE 15. 249 SHIPPING CRATE
FOR ALL CONFIGURATIONS**

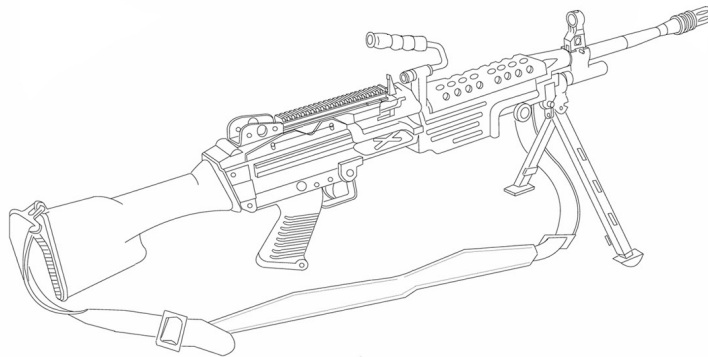


P/N: OOW249 CRATE

**FIGURE 16. TECHNICAL MANUAL
FOR ALL CONFIGURATIONS**

TM-OOW249

**TECHNICAL MANUAL
UNIT AND DIRECT SUPPORT MAINTENANCE MANUAL
(INCLUDING REPAIR PARTS AND SPECIAL TOOLS LIST)
FOR
MACHINE GUN, 5.56MM, M249 w/EQUIP**



Revision Original
July 2016

P/N: TM-OOW249

Firearms Training and Instruction

Ohio Ordnance Works, Inc. (OOW) offers training services for both individuals and classroom sized groups. Training is available for any weapon system and features both Operator and Armorer Level courses.

Classes normally take two days of classroom instruction and one day at the range. Length of classes may vary depending on group size and type of instruction.

Some areas covered in the Operator Level Training include:

- Major Components
- Equipment Data
- Troubleshooting Procedures
- Field Stripping & Reassembly
- Cleaning
- Ammunition
- Front Sight Adjustment

Some areas covered in the Armorer Level Training include:

- Major Components
- Equipment Data
- Disassembly & Reassembly
- Inspection & Repair
- Function Testing
- Cleaning
- Stoppage
- Testing
- Using the Tech Manual

Call for quote and to schedule your training.



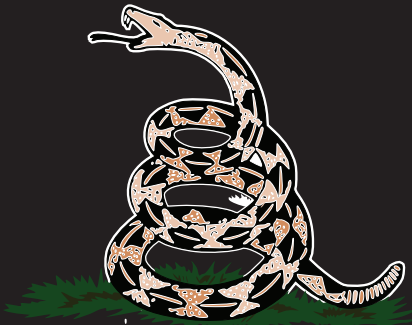
Part Number Reference

Part Number	Description	Figure No.
9348202	RECEIVER SUBASSEMBLY	1
9348216	SPRING, RETAINING	1
9348217	PIN, RETAINING FRONT	1
9348218	PIN, SPRING	1
9348219	CLIP, RETAINING	1
9348220	LEVER, BARREL LOCKING	1
9348221	SPRING, HELICAL, TORSION	1
9348222	PIN, GROOVED, HEADLESS	1
9348223	EJECTOR, CARTRIDGE	1
9348224	PIN, EJECTOR	1
9348225	CLIP, RETAINING	1
9348230	PIN, GROOVED, HEADLESS	1
9348231	SPRING, HELICAL, TORSION	1
9348232	COVER, MAGAZINE	1
9348233	SPRING, HELICAL, TORSION	1
9348234	PIN, GROOVED, HEADLESS	1
9348235	CLIP, RETAINING	1
9348245	CLIP, RETAINING	1
9348246	PIN, GROOVED	1
9348278	FEED PAWL ASSEMBLY	2
9348291	RING, RETAINING	2
9348294	PAWL, CARTRIDGE, RETAINING, FRONT	2
9348295	PAWL, CARTRIDGE, RETAINING, REAR	2
9348296	SPRING, HELICAL, COMPRESSION	2
9348298	PIN, RETAINING	2
9348300	SPRING, RETAINING	2
9348302	COVER, COCKING CHANNEL	2
9348303	PIN, RETAINING	2

Part Number	Description	Figure No.
9348304	SPRING, RETAINING	2
9348305	LATCH, COVER	2
9348306	CLIP, RETAINING	2
9348312	PIN, SHOULDER, HEADLESS	2
9348314	CLIP, RETAINING	2
9348320	BIPOD, MACHINE GUN	12
9348345	GASTUBE	1
9348350	TRIGGER, MECHANISM ASSEMBLY	5
9348352	FRAME, TRIGGER	5
9348353	PIN, SPRING	5
9348354	TRIGGER ASSEMBLY	5
9348363	PIN, SPRING	5
9348364	SAFETY, SMALL ARMS	5
9348365	SPRING, RETAINING	5
9348367	PIN, GROOVED, HEADLESS	5
9348368	SEAR	5
9348370	GUARD, TRIGGER	5
9348372	BOLT, MACHINE	5
9348391	SLIDE ASSEMBLY	6
9348405	PISTON, GUN GAS CYLINDER	6
9348412	BOLT ASSEMBLY	6
9348438	GRIP, CARRYING HANDLE	3,4
9348439	WASHER, SPRING TENSION	3,4
9348440	NUT, SELF LOCKING, HEXAGON	3,4
9348441	BASE, FRONT SIGHT	3,4
9348442	POST, FRONT SIGHT	3,4
9348452	SPRING, HELICAL, COMPRESSION	6
9350022	WASHER, FLAT	2

Part Number	Description	Figure No.
9350023	SCREW, MACHINE	2
9350025	PISTOL, GRIP ASSEMBLY	5
9350033	WRENCH, SPANNER FRONT SIGHT	13
9350047	KEY, BASE	3,4
9350048	PIN, SPRING	3,4
9350067	COVER, EJECTION PORT OPENING	1
9350090	SPRING, HELICAL, COMPRESSION	6
11826202	LOCK PIN	2
11826255	PIN, STRAIGHT	5
12011986	LONG BARREL ASSEMBLY, MONO BLACK	3
12540401	BUTTSTOCK PIN	1
12540405	HEATSHIELD ASSEMBLY	3
12540414	TRIGGER SPRING	5
12540416	ROD, RETURN AND TRANSFER ASSEMBLY	6
12556935	BUTTSTOCK/BUFFER ASSEMBLY	10
12556936	SCREW, SLOTTED	10
12556938	SCREW, SHOULDER	10
12556939	STOCK, GUN, SHOULDER	10
12556940	PLATE, BUTT, SHOULDER	10
12556941	REST, SHOULDER	10
12556951	BUFFER AND BACKPLATE ASSEMBLY	10
12556953	BARREL ASSEMBLY SHORT	4
12556973	GUARD, HAND, GUN ASSEMBLY	8
12556980	STOP, MECHANICAL	1
12556983	SPRING, HELICAL TORSION	2
12556984	CATCH, COVER	2
12556985	COVER AND FEED MECHANISM ASSEMBLY	2
12556986	COVER ASSEMBLY	2
12556988	SIGHT, REAR, ASSEMBLY	2
12557008	HANDLE, BOW	3,4
12557009	BUSHING, SLEEVE	3,4
12557012	PIN, CARRYING HANDLE RING	3,4
12557020	RING, CARRYING HANDLE	3,4

Part Number	Description	Figure No.
12557025	249 EXTRACTOR KIT	6
12993771	ACCESSORY RAIL ASSEMBLY	7
12993772	ACCESSORY RAIL, LEFT	7
12993773	ACCESSORY RAIL, RIGHT	7
13000150	249 SLING WITH HOOKS	13
13002190	BIPOD ASSEMBLY, IMPROVED	11
13006209	STOCK, SHOULDER, M4 STYLE	9
13013732	COCKING HANDLE ASSY LIGHT WEIGHT	1
13013736	FEED TRAY ASSEMBLY (NEW STYLE)	1
13015462	LEVER, FEED	2
30-000853	CREW SERVED WEAPONS TOOL	13
130084848	FORWARD PISTOL GRIP ASSEMBLY	7
M249-CLNKT	249 CLEANING KIT	13
MS24585-C279	SPRING, CARRYING HANDLE	3,4
MS39086-93	PIN, SPRING	1
NAS1352-08-10P	SOCKET HEAD CAP SCREW	7
OOW249 CRATE	249 SHIPPING CRATE	15
PM1094490-M249	249 HARDCASE WITH CUSTOM CUT FOAM	14
TM-OOW249	TECHNICAL MANUAL	16



DONT TREAD ON ME

NOTABLE CUSTOMERS INCLUDE:

THE UNITED STATES DEPARTMENT OF STATE
THE DEPARTMENT OF HOMELAND SECURITY
THE UNITED STATES DEPARTMENT OF ENERGY
THE UNITED STATES ARMY
THE UNITED STATES MARINE CORPS
THE UNITED STATES NAVY
THE UNITED STATES AIR FORCE
BRITISH AERO-SPACE
WEAPON SIMULATION COMPANIES
PRIVATE SECURITY COMPANIES
TACTICAL TRAINING COMPANIES
VARIOUS U.S. DEPARTMENT OF STATE/
NATO APPROVED FOREIGN COUNTRIES



Manufacturer of Destructive Devices
Importer of Destructive Devices
Manufacturer and Exporter with the U.S. Department of State
Broker with the U.S. Department of State
Importer of U.S. Munitions Import List Articles
Cage Code: 1V2A7



Ohio Ordnance Works, Inc.
PO Box 687, Chardon, Ohio 44024

phone: 440-285-3481

fax: 440-286-8571

business hours: monday thru friday, 8am to 5pm

sales inquiries: sales@oowinc.com

general: oow@ohioordnanceworks.com

web: www.ohioordnanceworks.com

Source Code: PCOOW240CO